



# FCM-100

## FAN CHARACTERIZATION MODULE

The FCM-100 Fan Characterization Module is a specialized unit designed to test and characterize fans of various sizes and performance outputs. Using the FCM-100 Module in conjunction with pressure measurement equipment (such as the PTM-1000) and velocity measurement equipment (such as the eATVS); it is possible to develop fan curves ( $\Delta P$  vs. Flow rate) that can be used to verify fan manufacturer data or to characterize fans of unknown performance.

The FCM-100 is constructed of sturdy corrosion resistant sheet metal, with casters for easy portability. A removable and customizable lexan mounting plate is provided to which fans of various diameters can be secured. Four (4) removable perforated flow restriction plates are also provided to allow the user to control the pressure drop through the module for fans under testing.

Customizable options include various sized specialized mounting plates can be made for the characterization of multiple fans simultaneously, including fan tray assemblies.

### RELATED PRODUCTS:



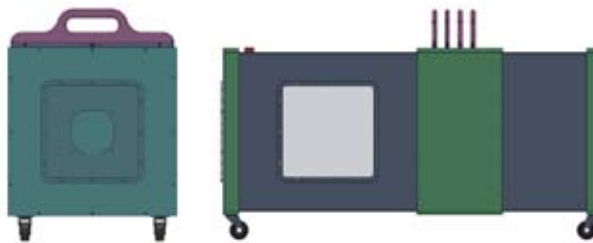
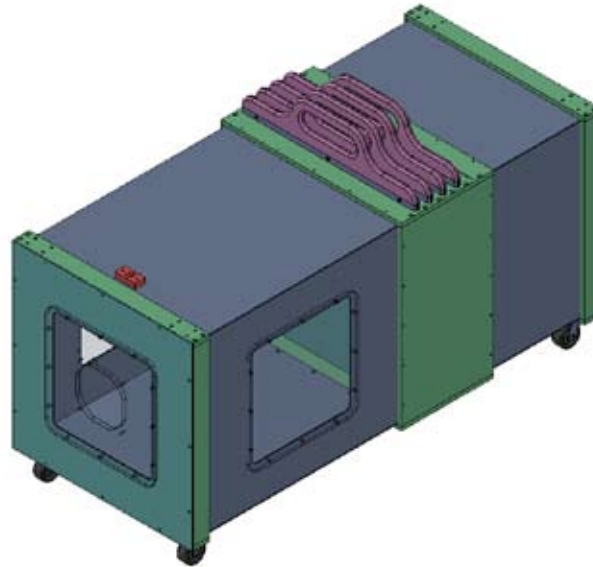
**eATVS-8**  
8-Channel Automatic  
Temperature & Velocity Scanner



**PTM-1000**  
Pressure Transducer Module

### OVERALL DIMENSIONS (L X W X H)

102.6 cm x 45.2 cm x 51.8 cm  
(40.4" x 17.8" x 20.4")  
(Length does not include fan.)



### FEATURES:

- » **Flow Restriction Plates**  
Includes four removable perforated flow restriction plates allowing the user to control the pressure drop through the module
- » **Portable**  
Features casters allowing the unit to be moved easily
- » **Sturdy Construction**  
For integration into control circuits that require analog voltage as input signals
- » **Customizable Options**  
Options include specialized mounting plates for the characterization of multiple fans simultaneously, including fan tray assemblies.
- » **Compatible Instruments**  
Can be used in conjunction with ATS' PTM-1000 Pressure Transducer Module and eATVS Automatic Temperature & Velocity Scanner to develop fan curves that can be used to characterize fans or verify manufacturer data.

### APPLICATIONS:

- » **Telecommunications**
- » **Networking**
- » **Embedded Systems**
- » **Thermal Management**

For further technical information, please contact Advanced Thermal Solutions, Inc. at 1-781-769-2800 or [www.qats.com](http://www.qats.com)