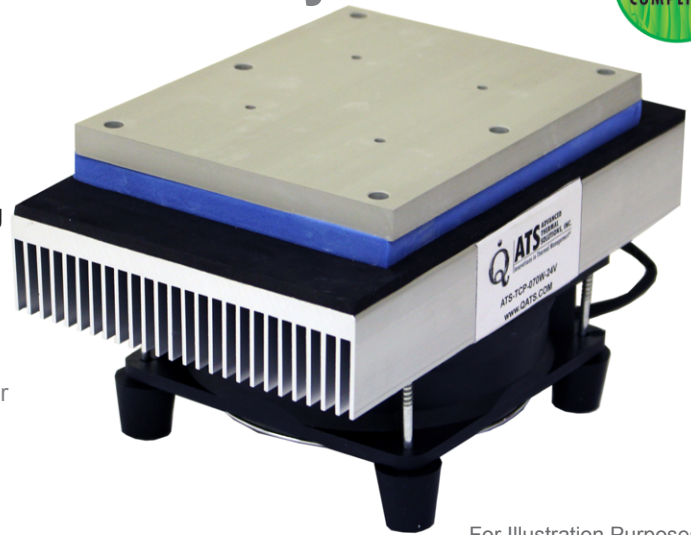


Air to Plate Thermoelectric Assembly



ATS PART# ATS-FP-70W-24-C

ATS' air to plate thermoelectric assemblies are heat exchangers for removing heat from a plate attached to its cold side. The plate can be used for mounting electronic components, boards or test specimens used for maintaining a constant temperature.



For Illustration Purposes ONLY.

FEATURES & BENEFITS

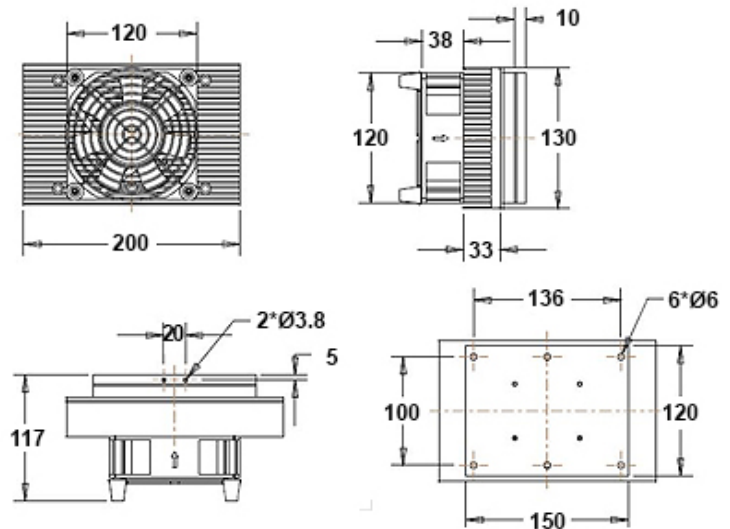
- » Compact and lightweight
- » Can be mounted in any orientation
- » No compressor
- » Virtually maintenance free
- » Simple quick installation
- » Air to plate heat exchanger
- » Quiet operation
- » Uses thermoelectrics

SPECIFICATION

Max Cooling power	59W @ $\Delta T = 0^\circ\text{C}$
TEC Voltage	24 VDC
TEC Current	Start 5 A / Working 4.2 A
Fan Voltage	24 VDC
Fan Current	0.25A

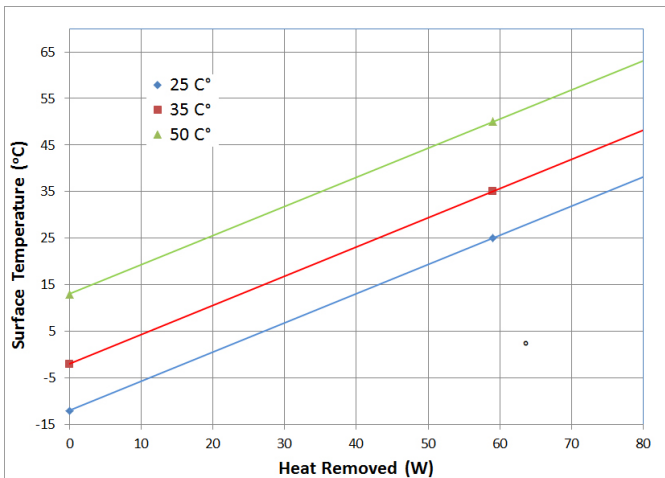
APPLICATIONS

- » Electronics cooling
- » Medical, surgical and biological process cooling
- » Thermal management
- » Medical equipment
- » Cold plates
- » Isothermal plates
- » Industrial storage and food transportation



Product Detail

Max Cooling Power	TEC Voltage	TEC Current	Hot Side Fan	Cold Side Fan	Operating Temperature	Dimensions (mm)	Weight
59W	24V	4.2A	120x120x38 mm 24V, 0.25A	N/A	0° – 70°	200x130x117	2.6 Kgs



NOTES:

1. Please use the 12VDC power with the ripple less than 10%
2. Please do not drop, or TEC can get damaged.
3. Please keep 10cm distance from walls for proper ventilation when mounting.
4. Please do not use it when the temperature of the assembly or environment is higher than 70°C.
5. The graph is an example of when plate temperature is 50°C and the environment temp is 50°C, the cooler can transfer 59W heat from the plate to outside.
6. $\Delta T = T_{\text{plate}} - T_{\text{ambient}}$



ATS ADVANCED THERMAL SOLUTIONS, INC.
Innovations in Thermal Management®