

Heat Sink for AMD Kria™ K24 SOM



ATS Part#: **ATS-KRP-3706-C1-R0**
Description: 41.3 x 60 x 9.76 mm high-performance heat sink
Component: AMD Kria™ K24 SOM
Heat Sink Type: Passive maxiFLOW heat sink
Heat Sink Attachment: Screws

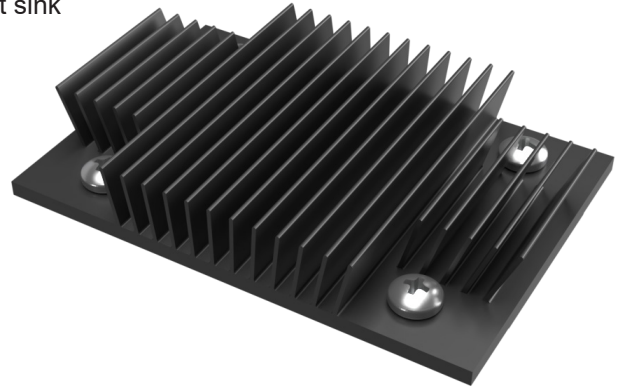


Image for illustration purposes only.

Product Details and Assembly

- » Designed to fit the AMD Kria™ K24 System-on-Module (SOM)
- » Included mounting hardware kit: ATS-HK308-R0 (M3 x 5mm screws)
- » Heat sink mounts directly to the clamshell thermal plate that comes standard with the K24 SOM
- » Provided with pre-assembled Thermal Interface Material (TIM) on base

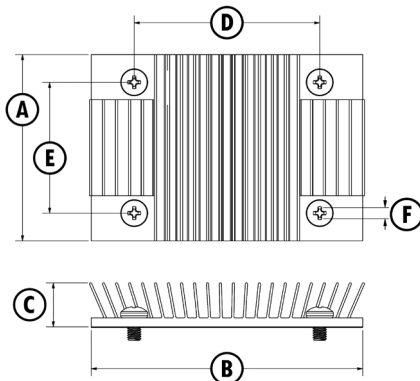
Heat Sink Part Number	L (mm)	W (mm)	H (mm)	Fin Tip to Fin Tip (mm)	Heat Sink Weight (g)	Thermal Interface Material
ATS-KRP-3706-C1-R0	41.3	60	9.76	60.75	25	Chomerics T766

Thermal Performance

Air Velocity	@100 LFM (0.5 M/S)	@200 LFM (1 M/S)	@300 LFM (1.5 M/S)	@400 LFM (2 M/S)	@500 LFM (2.5 M/S)
Thermal Resistance Ducted Flow	2.60 °C/W	1.49 °C/W	1.14 °C/W	0.97 °C/W	0.87 °C/W
Thermal Resistance Unducted Flow	14.64 °C/W	5.64 °C/W	3.11 °C/W	2.08 °C/W	1.58 °C/W

Product Details

SCHEMATIC IMAGE	Dimension A	Dimension B	Dimension C	Dimension D	Dimension E	Dimension F	Material	Finish
	41.3 mm	60 mm	9.76 mm	41 mm	29 mm	3.4 mm	AL-6063	Black Anodized



*All Images are for illustration purposes only.

NOTES:

- 1) Dimensions A and B refer to heat sink size.
- 2) Dimension C is the heat sink height from the bottom of the base to the top of the fin field.
- 3) Dimensions D and E refer to the mounting hole pattern C-C (center to center)
- 4) Dimension F refers to the mounting hole diameter
- 5) Thermal performance data are provided for reference only. Actual performance may vary by application.
- 6) ATS reserves the right to update or change its products without notice to improve the design or performance.
- 7) ATS certifies that this heat sink assembly is RoHS-6 and REACH compliant.
- 8) Contact ATS to learn about custom options available.



For further technical information, please contact Advanced Thermal Solutions, Inc.

89-27 ACCESS ROAD, NORWOOD, MA 02062 USA | T: 781.769.2800 | ATS-HQ@QATS.COM | WWW.QATS.COM