

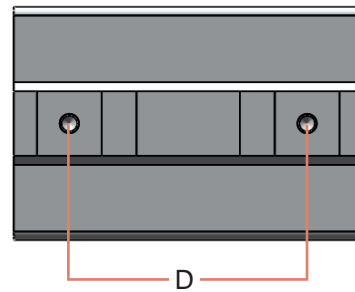
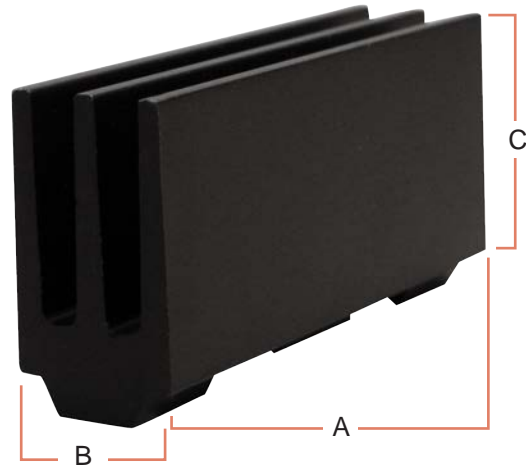
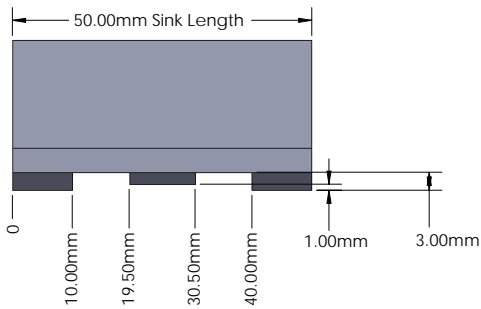


Heat Sinks For Texas Instruments

ATS PART # ATS-TI10P-521-C1-R0

Features & Benefits

- » Optimized for natural convection air cooling
- » Black anodized for maximum heat dissipation
- » Designed specifically for TI's Audio Evaluation Module #TPA3116D2EVM
- » Heat sinks come with two threaded mounting holes



**Images are for illustration purposes only.*

Thermal Performance

AIR VELOCITY		THERMAL RESISTANCE	
FT/MIN	M/S	°C/W (UNDUCTED FLOW)	°C/W (DUCTED FLOW)
200	1.0	8.5	4.7
300	1.5	6.8	n/a
400	2.0	5.9	n/a
500	2.5	5.3	n/a
600	3.0	4.9	n/a
700	3.5	4.5	n/a
800	4.0	4.3	n/a

Product Details

Dimension A	Dimension B	Dimension C	Dimension D	Thread depth	Thread Type	Interface Material	Finish
50 mm	13.9 mm	25 mm	40 mm	6.5 mm	#4-40	N/A	Black Anodized

Notes:

- 1) Dimension A = heat sink length
- 2) Dimension B = heat sink width
- 3) Dimension C = heat sink height from bottom of the base to the top of the fin field (all in mm)
- 4) Dimension D = Hole distance center to center (mm)
- 5) Dimension E= Hole depth (mm)
- 6) Material AL-6063



ATS ADVANCED THERMAL SOLUTIONS, INC.
Innovations in Thermal Management®

For more information, to find a distributor or to place an order, visit www.qats.com or call: 781.769.2800.