

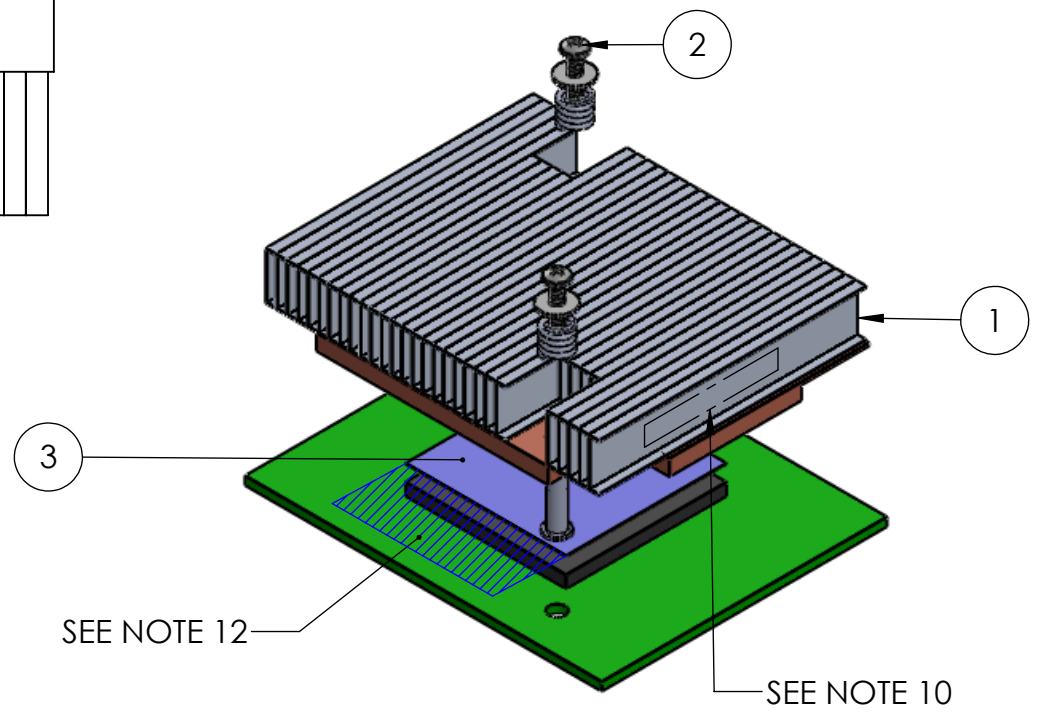
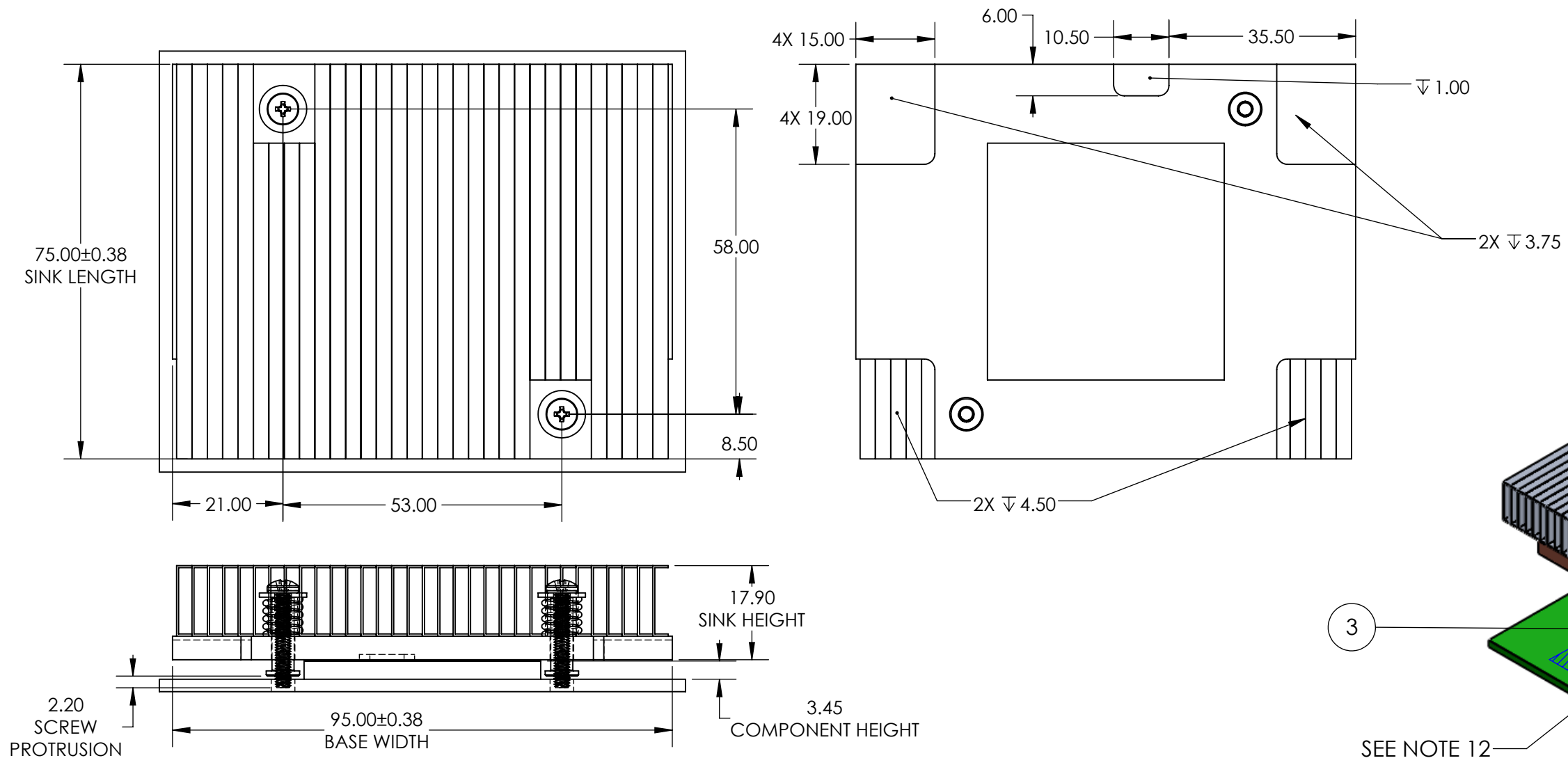
ATS-1783-C1-R0

Thursday, August 27, 2015

Advanced Thermal Solutions, Inc
PROPRIETARY

- NOTES:
- ITEM 1 MATERIAL: COPPER; FINISH: NONE
 - HEAT SINK IS SUPPLIED WITH THERMAL INTERFACE MATERIAL PRE-ASSEMBLED.
 - THERMAL INTERFACE MATERIAL IS 45MM X 45MM X .25MM AND IS CENTERED ON HEAT SINK BASE.
 - HEAT SINK IS SUPPLIED WITH HARDWARE ASSEMBLY KIT PRE-ASSEMBLED.
 - HARDWARE ASSEMBLY KIT MAY BE ORDERED SEPARATELY.
 - HARDWARE ASSEMBLY KIT PROVIDES 9psi PRESSURE WHEN INSTALLED ON 45MM X 45MM X 3.45MM COMPONENT.
 - HARDWARE ASSEMBLY KIT REQUIRES 2X M3 TAPPED HOLES WITH Ø 7MM TOP SIDE KEEPOUT.
 - TOLERANCES X.X +/- 0.50 MM, X.XX +/- 0.25 MM, X.XXX +/- 0.125 MM UNLESS SHOWN OTHERWISE.
 - SUPPLIER CERTIFIES PRODUCT IS ROHS COMPLIANT.
 - PART # "ATS-1783-C1-R0" ETCHED APPROXIMATELY WHERE SHOWN.
 - THIS HEAT SINK IS FOR USE ON THE U5500, U6000 TITAN COMPONENTS ON THE DCAM2 BOARD.
 - THERMAL INTERFACE MATERIAL IS SUPPLIED WITH RELEASE LINER (WITH TAB FOR EASY REMOVAL) ATTACHED. CUSTOMER MUST REMOVE LINER PRIOR TO INSTALLATION.

REVISIONS		
REV.	DESCRIPTION	DATE
R0	ORIGINAL DESIGN	08/24/15



This confidential document is the sole property of Advanced Thermal Solutions (ATS). It is prohibited to reproduce or distribute this information, in whole or part, to other parties without the prior written consent of ATS.

ITEM NO.	PART NUMBER	DESCRIPTION	SUPPLIER	QTY.	NOTES
1	ATS060090018-1783-C1-R0	HEAT SINK SUB ASSEMBLY	ATS	1	1,2,4
2	ATS-HK230-R0	HARDWARE ASSEMBLY KIT	ATS	1	4,5,6
3	LAIRD TPCM 7810-45X45	TPCM 7810 45MM X 45MM X .25MM	LAIRD	1	2,3,12

<p>Advanced Thermal Solutions, Inc 89 Access Road #27 Norwood MA, 02062</p>	DWN: CAH	DESIGNER: GW	APPROVED /RELEASED FOR ATS MANUFACTURE: GW 8/27/2015	SCALE: NTS	DATE: 08/24/2015	DWG. NO. ATS-1783-C1-R0	LEVEL --
	DESCRIPTION: HEAT SINK ASSEMBLY			TOLERANCE: AS SPECIFIED	FINISH: SEE NOTES	MATERIAL: SEE NOTES	DRW UNITS: MM(IN)

ATS-1783-C1-R0