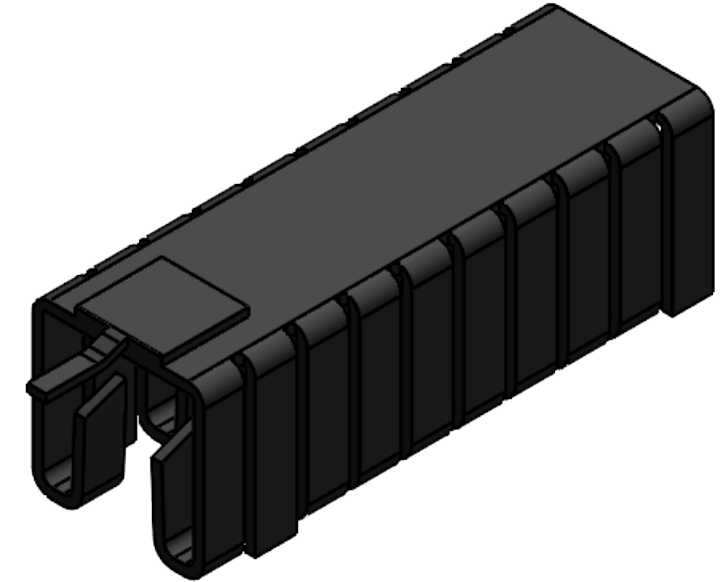


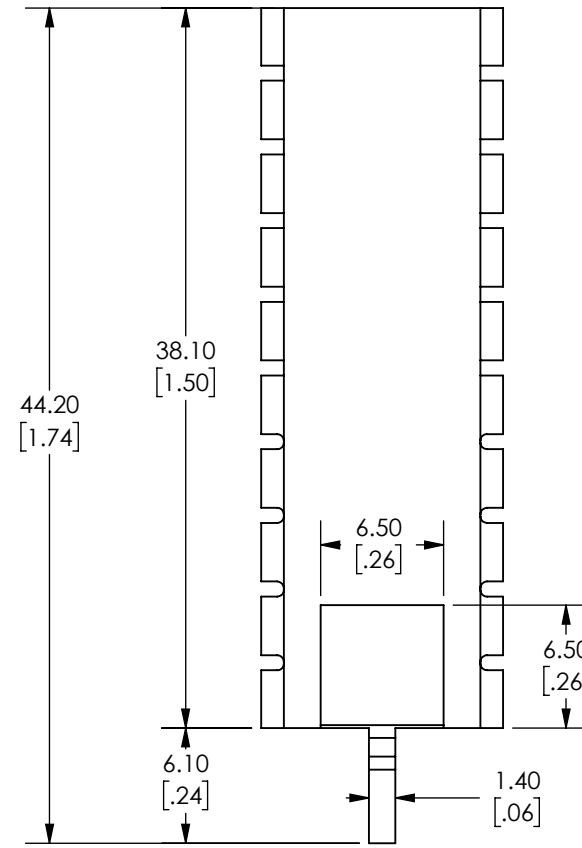
Advanced Thermal Solutions, Inc
PROPRIETARY

- NOTES:
- SUPPLIER CERTIFIES PRODUCT IS ROHS COMPLIANT.
 - REMOVE ALL BURRS & SHARP EDGES.
 - ESTIMATED MASS: 3.69 GRAMS

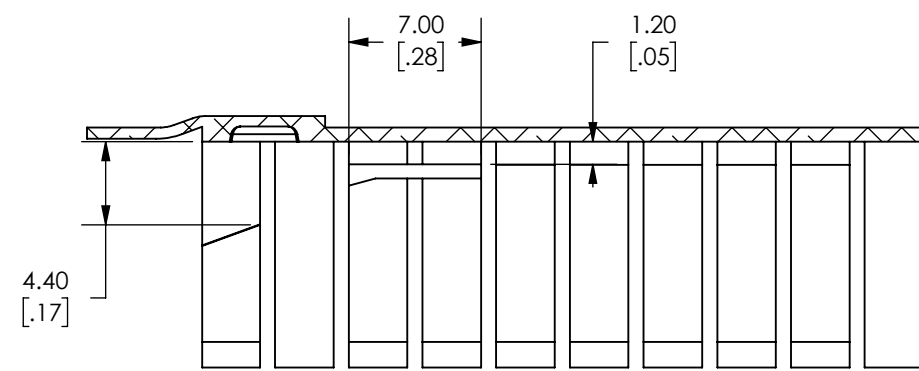
REVISIONS		
REV.	DESCRIPTION	DATE
R0	ORIGINAL DESIGN	



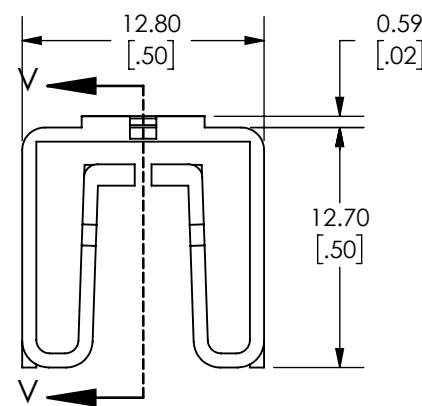
Isometric View
NTS



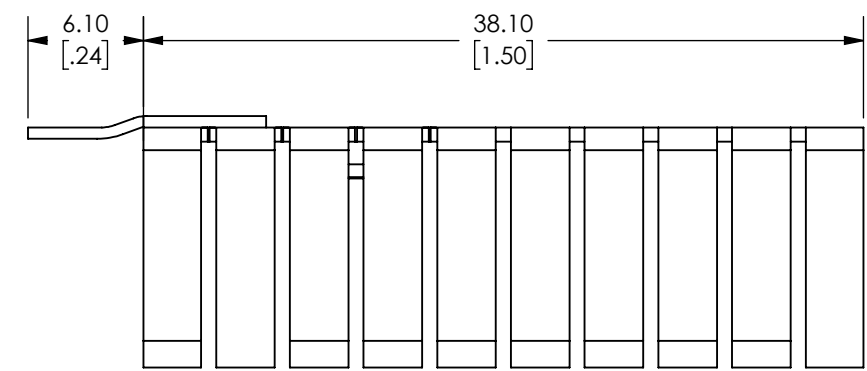
Top View
Scale 2.5:1



SECTION V-V



Front View
Scale 2.5:1



Side View
Scale 2.5:1

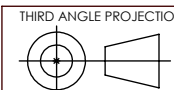
ATS ADVANCED THERMAL SOLUTIONS, INC.
Innovations in Thermal Management®

89-27 Access Road
Norwood MA, 02062

DWN: FW
DESIGNER: FW
APPROVED / RELEASED FOR ATS MANUFACTURE:

DESCRIPTION:
HEAT SINK

TOLERANCE:
UNLESS OTHERWISE SPECIFIED:
X.X +/- 0.5mm
X.XX +/- 0.25mm
X.XXX +/- 0.125mm
ANGLES +/- 1°



DRW UNITS: MM(IN)
SCALE: NTS

DWG. NO. AT-PCB1003
FINISH: BLACK ANODIZED

MATERIAL: ALUMINUM 6063
LEVEL: --

DATE: 6/10/2020
SHEET# 1 OF 1