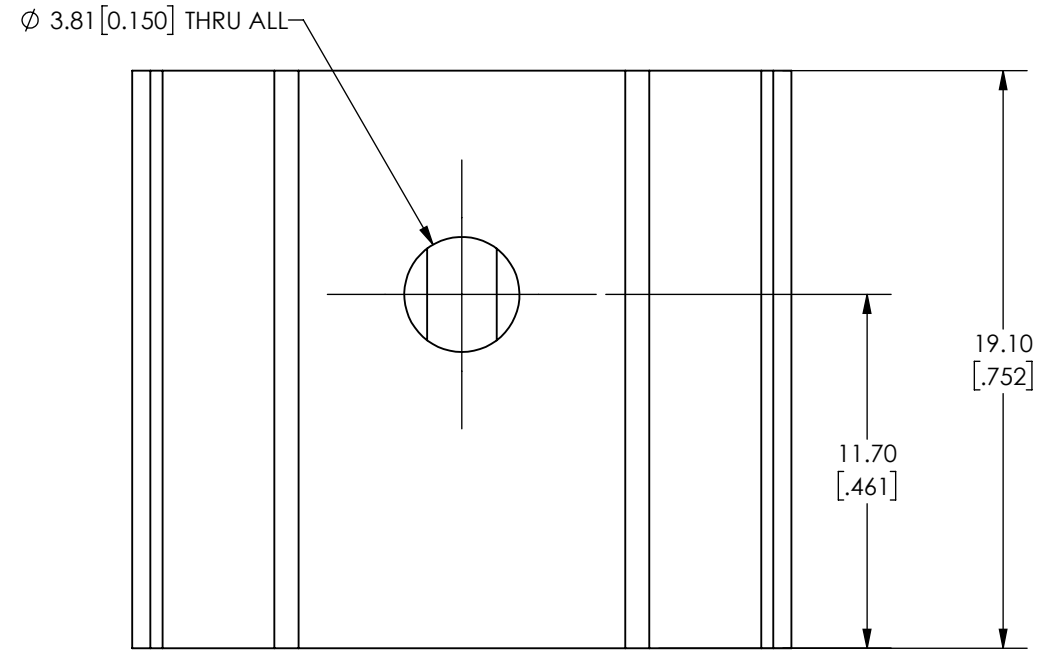


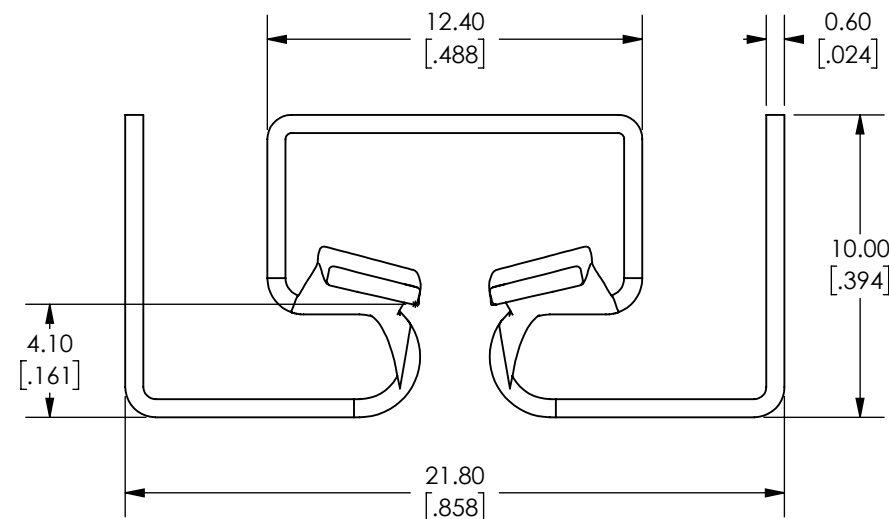
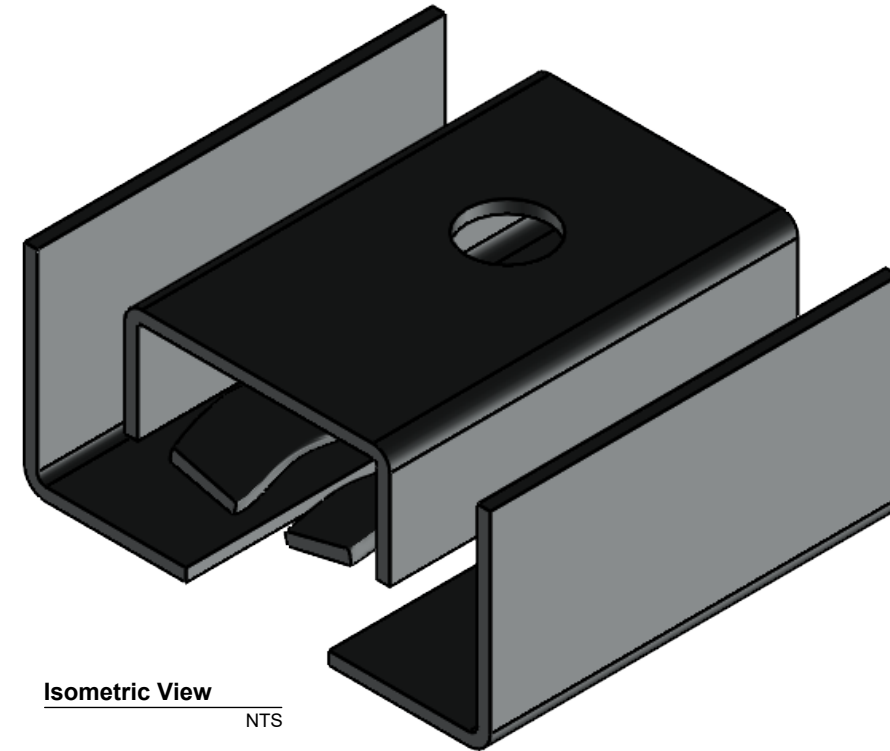
**Advanced Thermal Solutions, Inc**  
**PROPRIETARY**

- NOTES:
- SUPPLIER CERTIFIES PRODUCT IS ROHS COMPLIANT.
  - REMOVE ALL BURRS & SHARP EDGES.
  - ESTIMATED MASS: 2.05 GRAMS

REVISIONS		
REV.	DESCRIPTION	DATE
R0	ORIGINAL DESIGN	



**Top View**  
Scale 4:1



**Front View**  
Scale 4:1

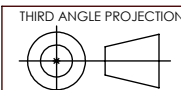


**89-27 Access Road**  
**Norwood MA, 02062**

DWN: FW  
DESIGNER: FW  
APPROVED / RELEASED FOR ATS MANUFACTURE:

DESCRIPTION:  
HEAT SINK

TOLERANCE:  
UNLESS OTHERWISE SPECIFIED:  
X.X +/- 0.5mm  
X.XX +/- 0.25mm  
X.XXX +/- 0.125mm  
ANGLES +/- 1°



DRW UNITS:  
MM(IN)

SCALE:  
NTS

DWG. NO.  
ATS-PCB1004

FINISH:  
BLACK ANODIZED

MATERIAL:  
ALUMINUM 6063

DATE:  
6/10/2020

LEVEL: --  
SHEET#: 1 OF 1