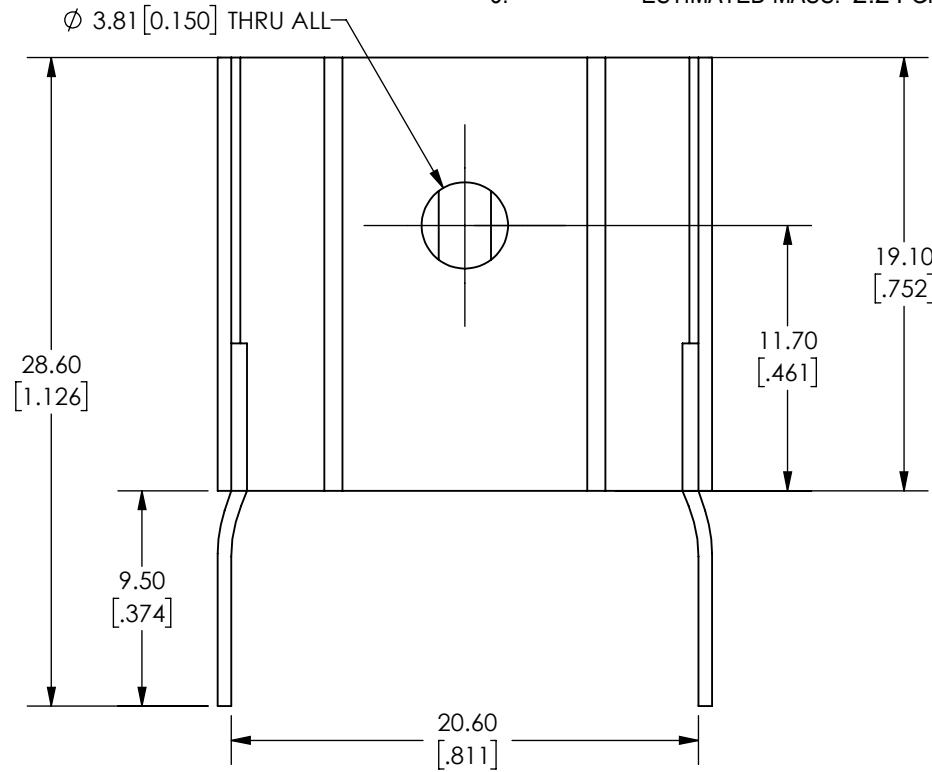


Advanced Thermal Solutions, Inc
PROPRIETARY

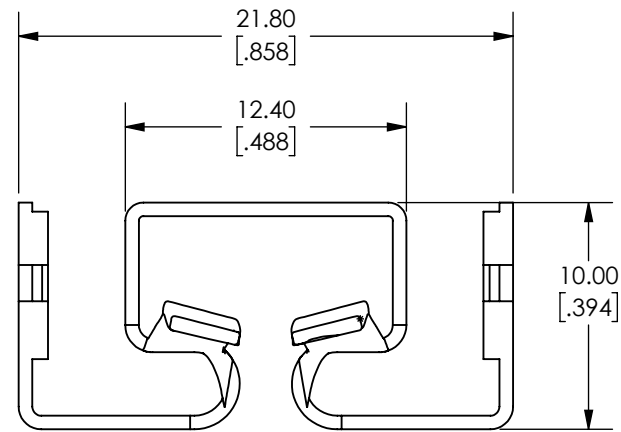
NOTES:

- SUPPLIER CERTIFIES PRODUCT IS ROHS COMPLIANT.
- REMOVE ALL BURRS & SHARP EDGES.
- ESTIMATED MASS: 2.24 GRAMS

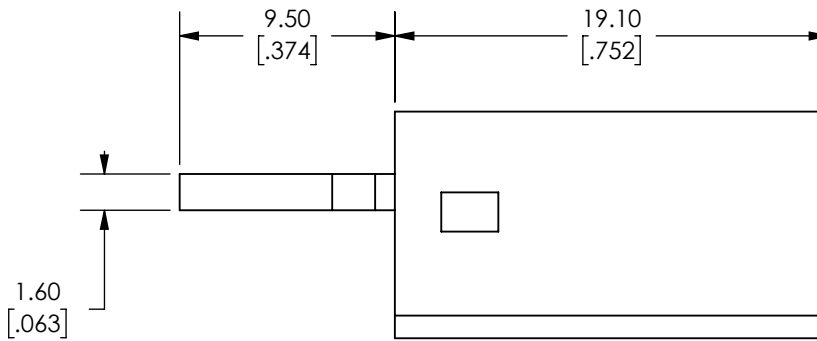
REVISIONS		
REV.	DESCRIPTION	DATE
R0	ORIGINAL DESIGN	



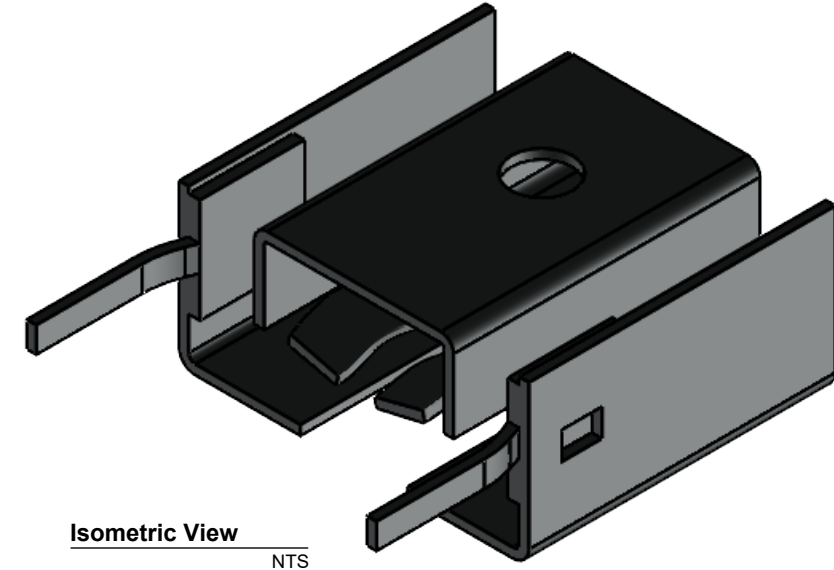
Top View
Scale 3:1



Front View
Scale 3:1



Side View
Scale 3:1



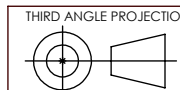
Isometric View
NTS



89-27 Access Road
Norwood MA, 02062

DWN: FW	DESIGNER: FW	APPROVED / RELEASED FOR ATS MANUFACTURE:
DESCRIPTION: HEAT SINK		

TOLERANCE:
UNLESS OTHERWISE SPECIFIED:
X.X +/- 0.5mm
X.XX +/- 0.25mm
X.XXX +/- 0.125mm
ANGLES +/- 1°



DRW UNITS:
MM(IN)
SCALE:
NTS

DWG. NO.
FINISH:
BLACK ANODIZED

ATS-PCB1006

MATERIAL:
ALUMINUM 6063

DATE: 6/10/2020	SHEET# 1 OF 1
--------------------	------------------