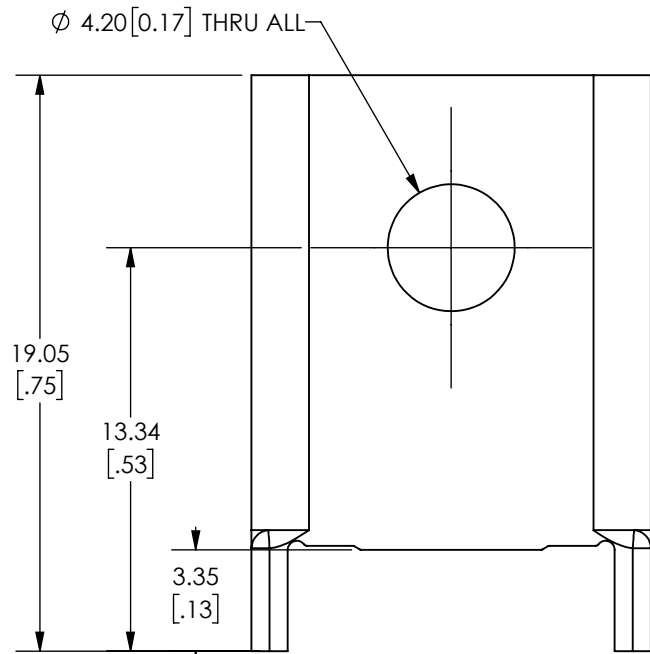


Advanced Thermal Solutions, Inc
PROPRIETARY

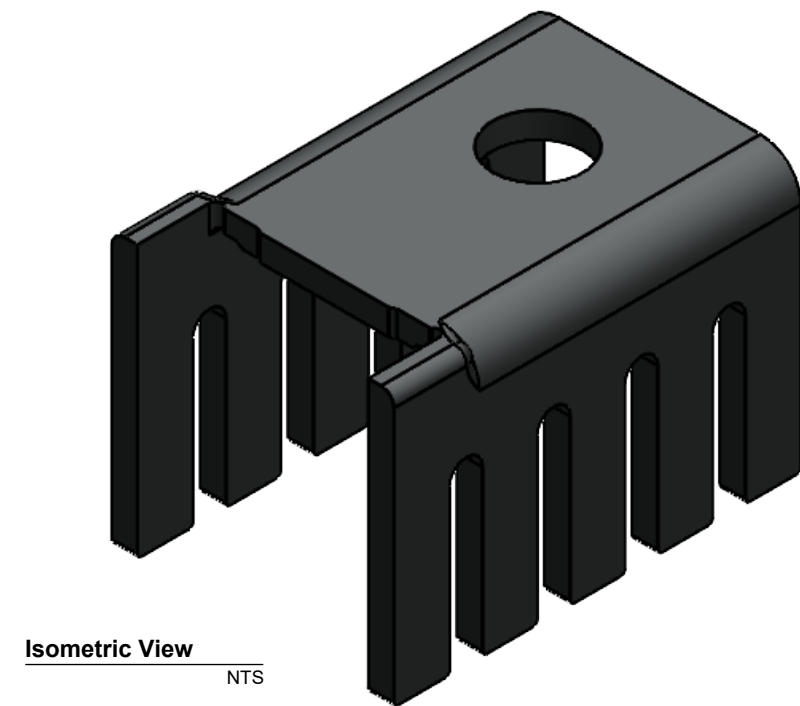
NOTES:

1. SUPPLIER CERTIFIES PRODUCT IS ROHS COMPLIANT.
2. REMOVE ALL BURRS & SHARP EDGES.
3. ESTIMATED MASS: 1.65 GRAMS

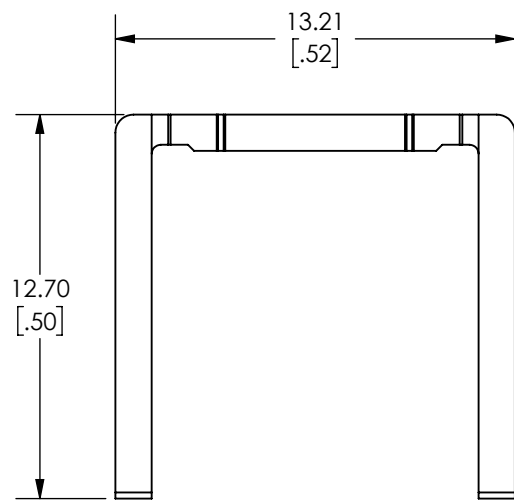
| REVISIONS | | |
|-----------|-----------------|------|
| REV. | DESCRIPTION | DATE |
| R0 | ORIGINAL DESIGN | |



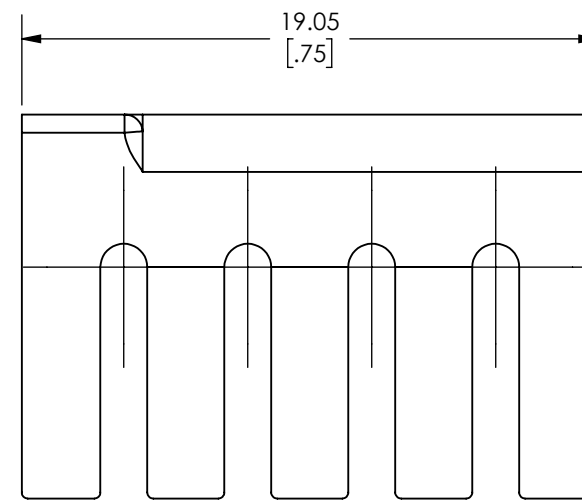
Top View
Scale 4:1



Isometric View
NTS



Front View
Scale 4:1



Side View
Scale 4:1



89-27 Access Road
Norwood MA, 02062

DWN:
FW

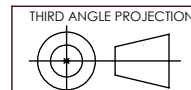
DESIGNER:
FW

APPROVED / RELEASED
FOR ATS MANUFACTURE:

DESCRIPTION:

HEAT SINK

TOLERANCE:
UNLESS OTHERWISE SPECIFIED:
X.X +/- 0.5mm
X.XX +/- 0.25mm
X.XXX +/- 0.125mm
ANGLES +/- 1°



DRW UNITS:
MM(IN)

SCALE:
NTS

DWG. NO.

FINISH:
BLACK ANODIZED

ATS-PCB1014

MATERIAL:
ALUMINUM 6063

LEVEL
--

DATE:
6/10/2020

SHEET#
1 OF 1