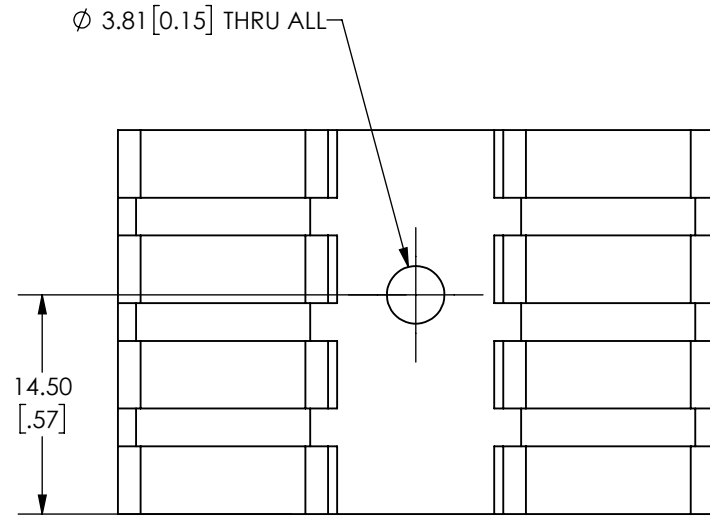


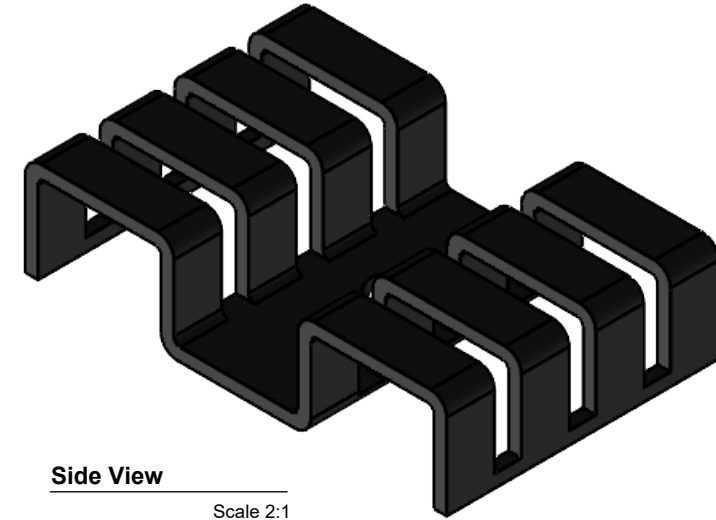
NOTES:

1. SUPPLIER CERTIFIES PRODUCT IS ROHS COMPLIANT.
2. REMOVE ALL BURRS & SHARP EDGES.
3. ESTIMATED MASS: 4.44 GRAMS

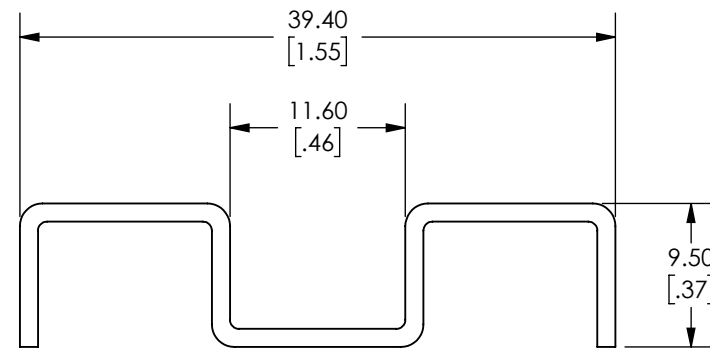
REVISIONS		
REV.	DESCRIPTION	DATE
R0	ORIGINAL DESIGN	



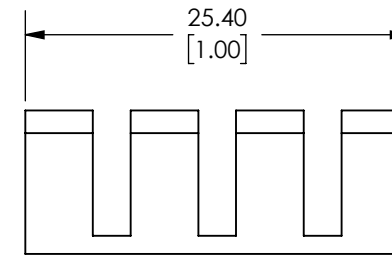
**Top View**  
Scale 2:1



**Side View**  
Scale 2:1



**Front View**  
Scale 2:1



**Side View**  
Scale 2:1

**ATS** ADVANCED THERMAL SOLUTIONS, INC.  
Innovations in Thermal Management®

89-27 Access Road  
Norwood MA, 02062

DWN: FW	DESIGNER: FW	APPROVED / RELEASED FOR ATS MANUFACTURE:
DESCRIPTION: HEAT SINK		

TOLERANCE: UNLESS OTHERWISE SPECIFIED: X.X +/- 0.5mm X.XX +/- 0.25mm X.XXX +/- 0.125mm ANGLES +/- 1°	THIRD ANGLE PROJECTION
---	------------------------

DRW UNITS: MM(IN)	DWG. NO. ATS-PCB1029
SCALE: NTS	FINISH: BLACK ANODIZED

MATERIAL: ALUMINUM 6063	LEVEL: --
----------------------------	--------------

DATE: 6/10/2020	SHEET# 1 OF 1
--------------------	------------------