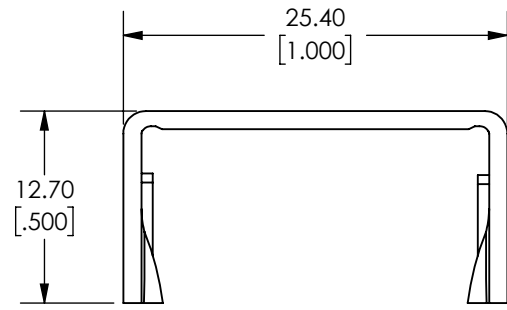


**Advanced Thermal Solutions, Inc**  
**PROPRIETARY**

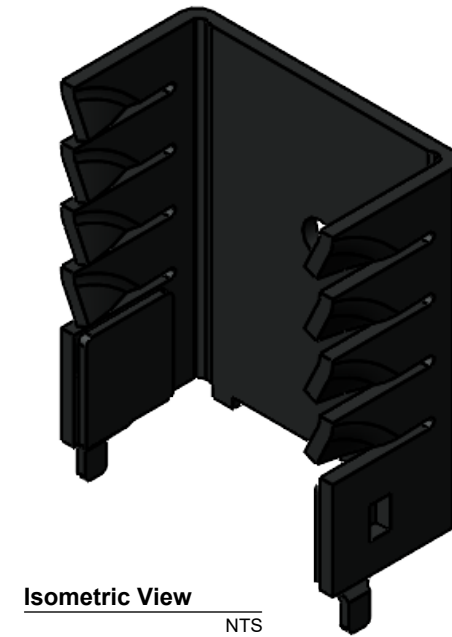
**NOTES:**

1. SUPPLIER CERTIFIES PRODUCT IS ROHS COMPLIANT.
2. REMOVE ALL BURRS & SHARP EDGES.
3. ESTIMATED MASS: 4.52 GRAMS

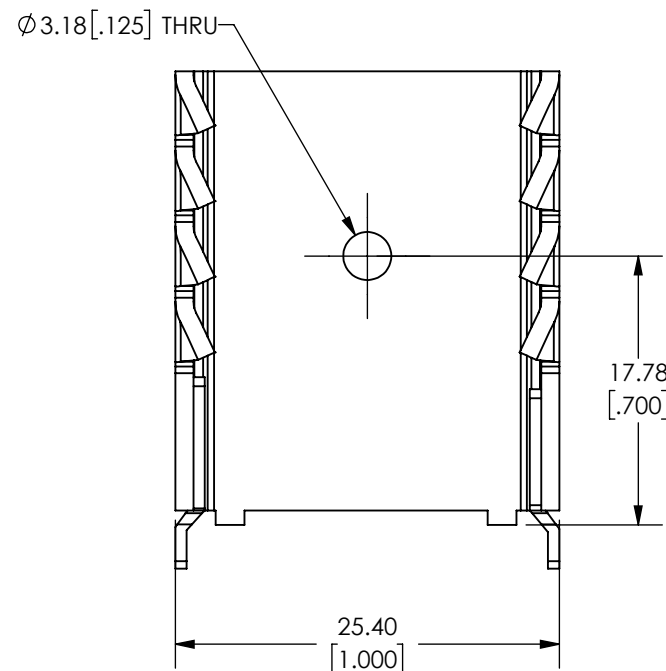
REVISIONS		
REV.	DESCRIPTION	DATE
R0	ORIGINAL DESIGN	



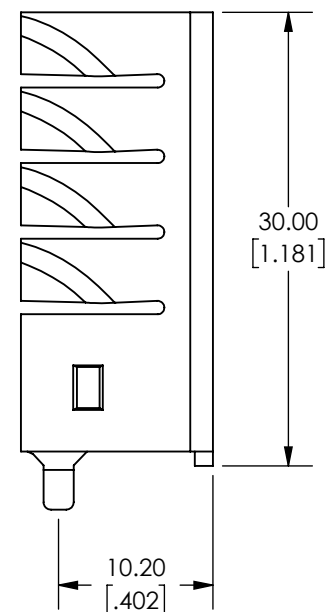
**Top View**  
Scale 2:1



**Isometric View**  
NTS



**Front View**  
Scale 2:1



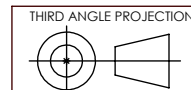
**Side View**  
Scale 2:1



**89-27 Access Road**  
**Norwood MA, 02062**

DWN: FW	DESIGNER: FW	APPROVED / RELEASED FOR ATS MANUFACTURE:
DESCRIPTION: HEAT SINK		

**TOLERANCE:**  
UNLESS OTHERWISE SPECIFIED:  
X.X +/- 0.5mm  
X.XX +/- 0.25mm  
X.XXX +/- 0.125mm  
ANGLES +/- 1°



DRW UNITS:  
MM(IN)  
SCALE:  
NTS

DWG. NO.  
**ATS-PCB1036**  
FINISH:  
BLACK ANODIZED

MATERIAL:  
ALUMINUM 6063  
LEVEL  
--

DATE:  
6/10/2020  
SHEET#  
1 OF 1