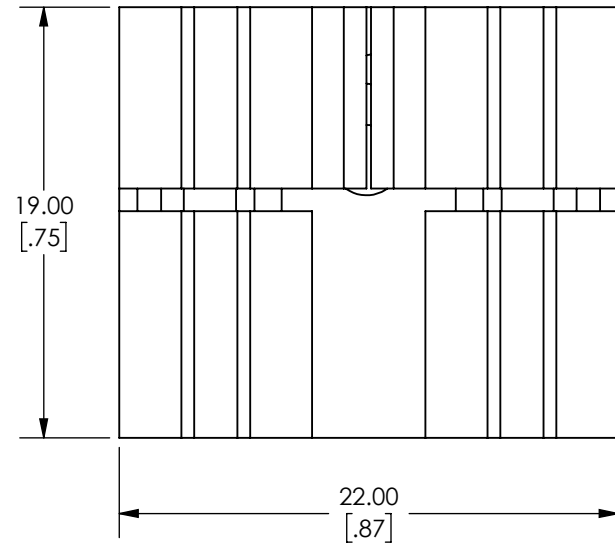


Advanced Thermal Solutions, Inc
PROPRIETARY

NOTES:

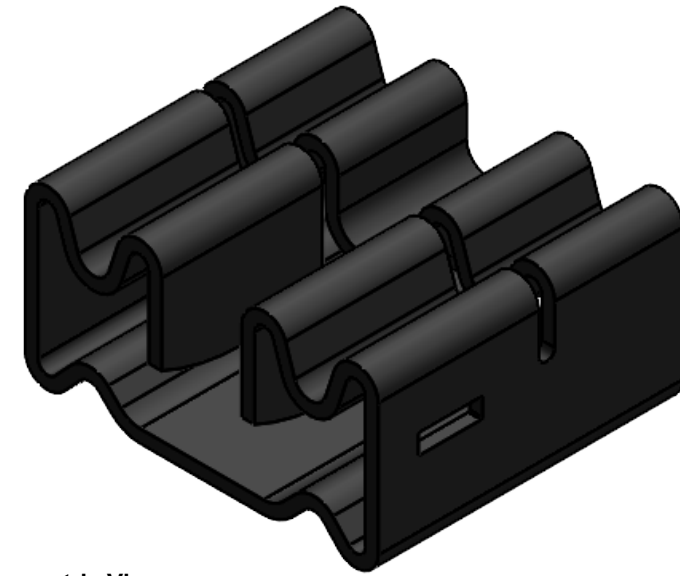
1. SUPPLIER CERTIFIES PRODUCT IS ROHS COMPLIANT.
2. REMOVE ALL BURRS & SHARP EDGES.
3. ESTIMATED MASS: 3.09 GRAMS

REVISIONS		
REV.	DESCRIPTION	DATE
R0	ORIGINAL DESIGN	



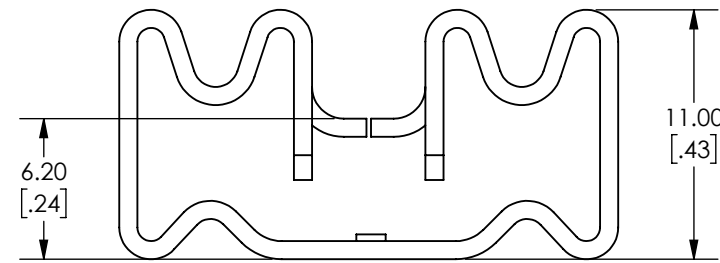
Top View

Scale 3:1



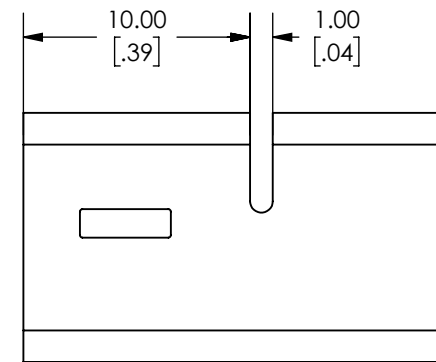
Isometric View

NTS



Front View

Scale 3:1



Side View

Scale 3:1



89-27 Access Road
Norwood MA, 02062

DWN:
FW

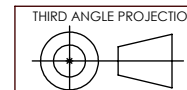
DESIGNER:
FW

APPROVED / RELEASED
FOR ATS MANUFACTURE:

DESCRIPTION:

HEAT SINK

TOLERANCE:
UNLESS OTHERWISE SPECIFIED:
X.X +/- 0.5mm
X.XX +/- 0.25mm
X.XXX +/- 0.125mm
ANGLES +/- 1°



DRW UNITS:
MM(IN)

SCALE:
NTS

DWG. NO.

FINISH:
BLACK ANODIZED

ATS-PCB1044

MATERIAL:
ALUMINUM 6063

LEVEL
--

DATE:
6/10/2020

SHEET#
1 OF 1