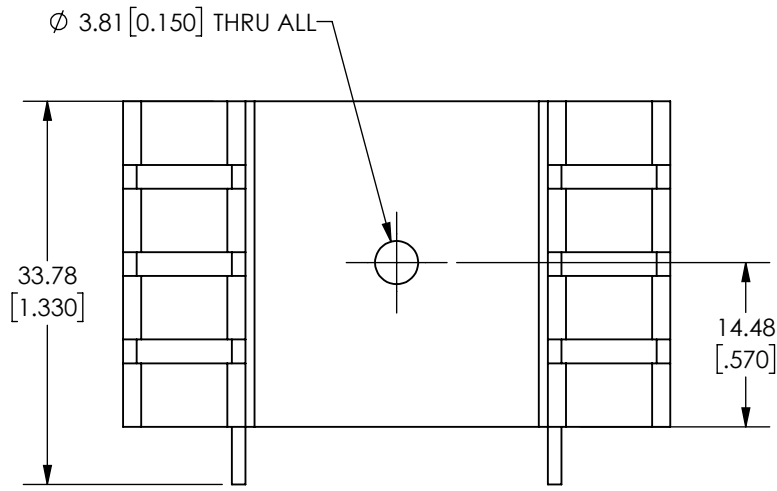


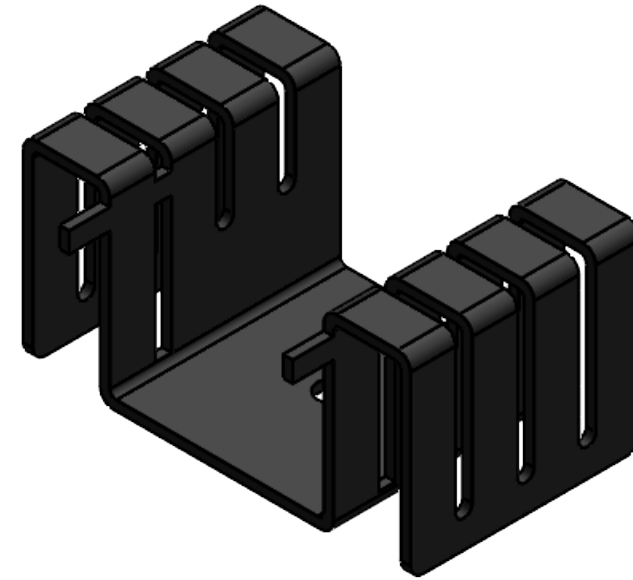
NOTES:

1. SUPPLIER CERTIFIES PRODUCT IS ROHS COMPLIANT.
2. REMOVE ALL BURRS & SHARP EDGES.
3. ESTIMATED MASS: 11.13 GRAMS

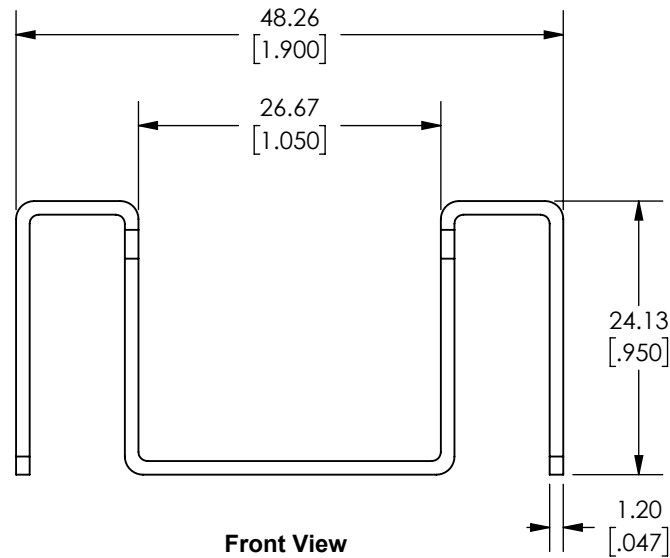
REVISIONS		
REV.	DESCRIPTION	DATE
R0	ORIGINAL DESIGN	



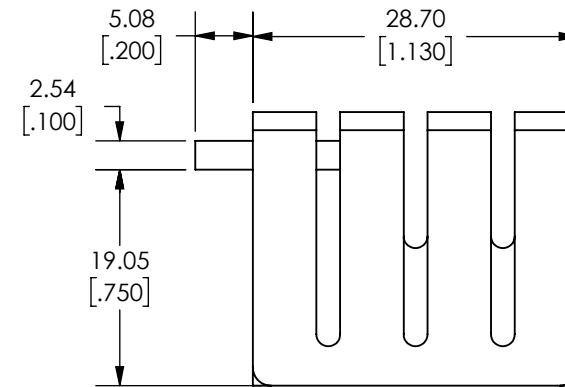
**Top View**  
Scale 3:2



**Isometric View**  
NTS



**Front View**  
Scale 3:2



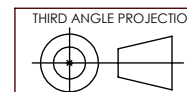
**Side View**  
Scale 3:2



89-27 Access Road  
Norwood MA, 02062

DWN: FW	DESIGNER: FW	APPROVED / RELEASED FOR ATS MANUFACTURE:
DESCRIPTION: HEAT SINK		

TOLERANCE:  
UNLESS OTHERWISE SPECIFIED:  
X.X +/- 0.5mm  
X.XX +/- 0.25mm  
X.XXX +/- 0.125mm  
ANGLES +/- 1°



DRW UNITS: MM(IN)	SCALE: NTS
----------------------	---------------

DWG. NO. ATS-PCB1050	FINISH: BLACK ANODIZED
-------------------------	---------------------------

MATERIAL: ALUMINUM 6063	LEVEL: --
----------------------------	--------------

DATE: 6/10/2020	SHEET# 1 OF 1
--------------------	------------------