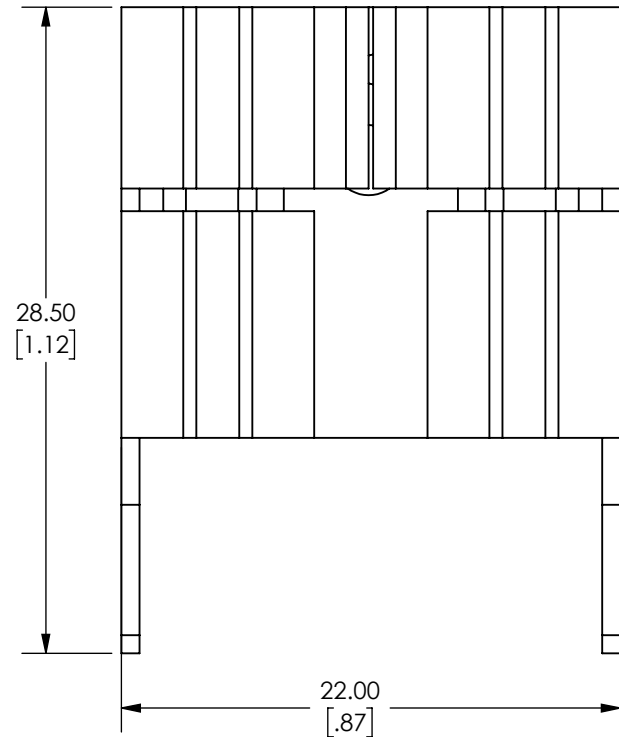


**Advanced Thermal Solutions, Inc**  
**PROPRIETARY**

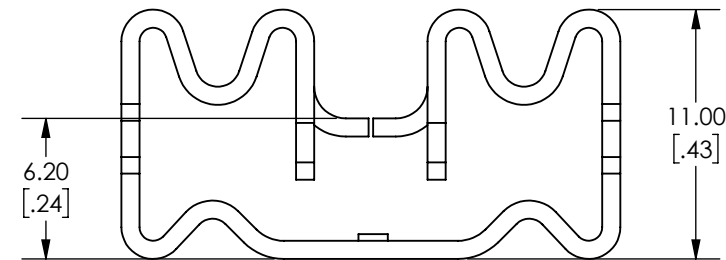
NOTES:

- SUPPLIER CERTIFIES PRODUCT IS ROHS COMPLIANT.
- REMOVE ALL BURRS & SHARP EDGES.
- ESTIMATED MASS: 3.15 GRAMS

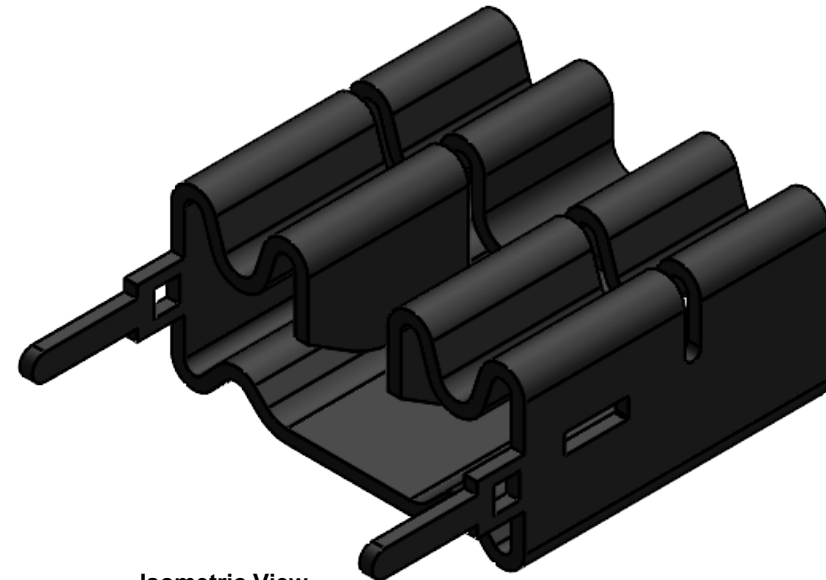
REVISIONS		
REV.	DESCRIPTION	DATE
R0	ORIGINAL DESIGN	



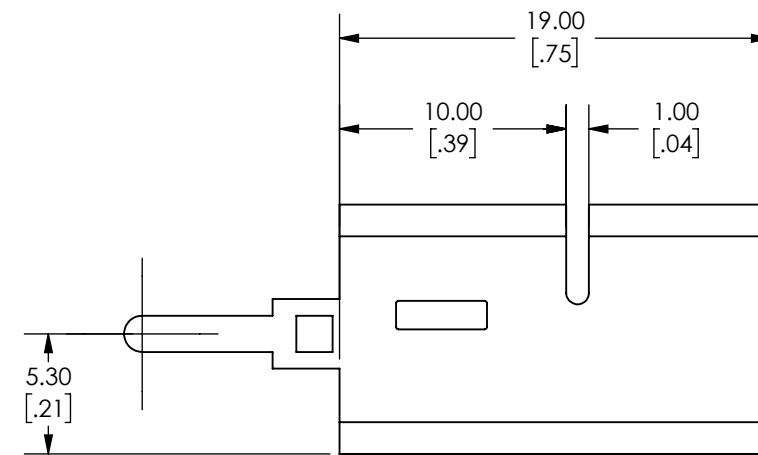
Scale 3:1



Scale 3:1



NTS



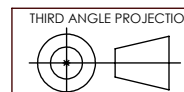
Scale 3:1



89-27 Access Road  
Norwood MA, 02062

DWN: FW	DESIGNER: FW	APPROVED / RELEASED FOR ATS MANUFACTURE:
DESCRIPTION: HEAT SINK		

TOLERANCE:  
UNLESS OTHERWISE SPECIFIED:  
X.X +/- 0.5mm  
X.XX +/- 0.25mm  
X.XXX +/- 0.125mm  
ANGLES +/- 1°



DRW UNITS:  
MM(IN)  
SCALE:  
NTS

DWG. NO.  
3

FINISH:  
BLACK ANODIZED

ATS-PCB1055

MATERIAL:  
ALUMINUM 6063

LEVEL  
--

DATE:  
6/10/2020  
SHEET#  
1 OF 1