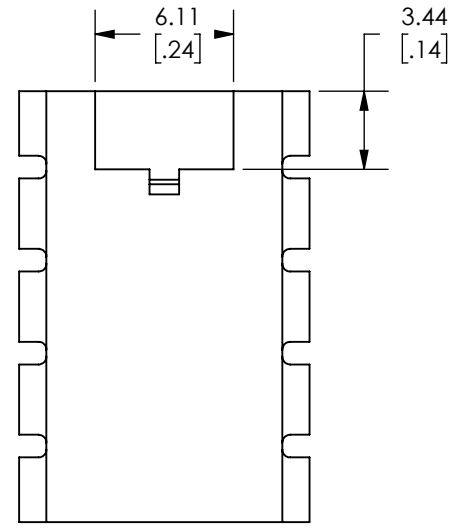


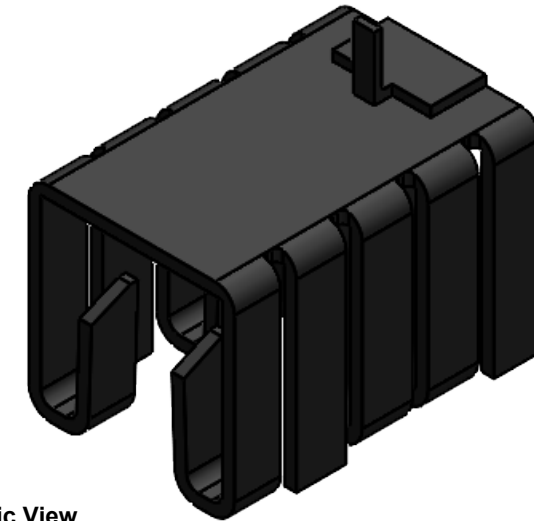
- NOTES:
- SUPPLIER CERTIFIES PRODUCT IS ROHS COMPLIANT.
 - REMOVE ALL BURRS & SHARP EDGES.
 - ESTIMATED MASS: 1.66 GRAMS

REVISIONS		
REV.	DESCRIPTION	DATE
R0	ORIGINAL DESIGN	



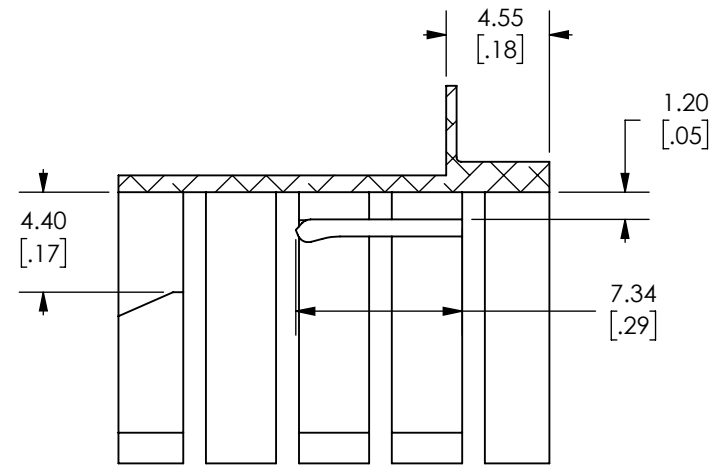
Top View

Scale 3:1

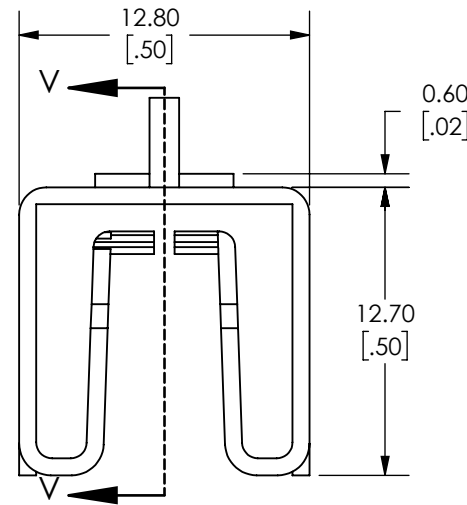


Isometric View

NTS

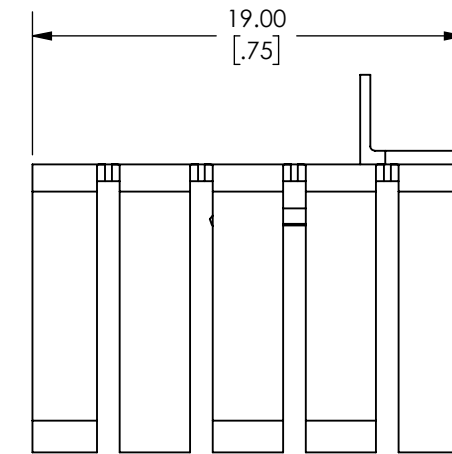


SECTION V-V



Front View

Scale 3:1



Side View

Scale 3:1

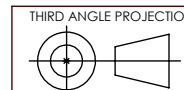


89-27 Access Road
Norwood MA, 02062

DWN: FW	DESIGNER: FW	APPROVED / RELEASED FOR ATS MANUFACTURE:
------------	-----------------	---

DESCRIPTION:
HEAT SINK

TOLERANCE:
UNLESS OTHERWISE SPECIFIED:
X.X +/- 0.5mm
X.XX +/- 0.25mm
X.XXX +/- 0.125mm
ANGLES +/- 1°



DRW UNITS:
MM(IN)

SCALE:
NTS

DWG. NO.
ATS-PCB1065

FINISH:
BLACK ANODIZED

DATE:
6/10/2020

MATERIAL:
ALUMINUM 6063

LEVEL:
--

SHEET#
1 OF 1