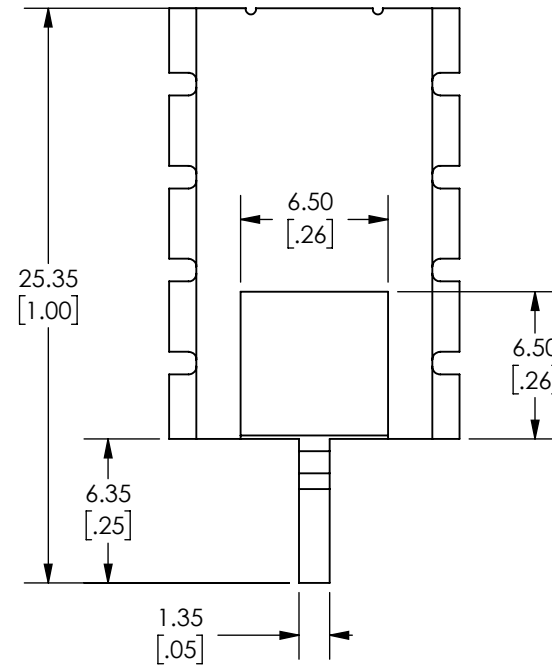


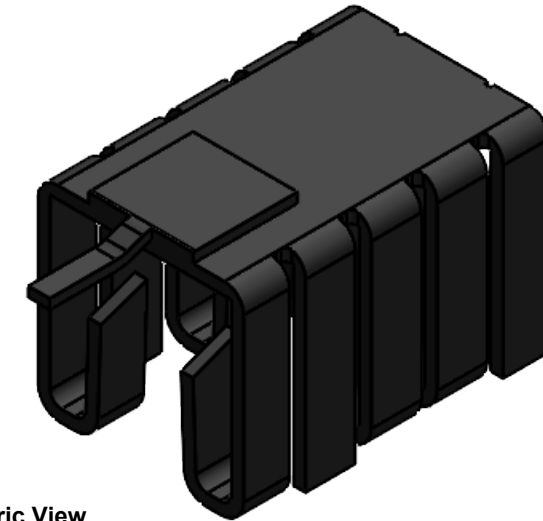
- NOTES:
- SUPPLIER CERTIFIES PRODUCT IS ROHS COMPLIANT.
  - REMOVE ALL BURRS & SHARP EDGES.
  - ESTIMATED MASS: 1.70 GRAMS

REVISIONS		
REV.	DESCRIPTION	DATE
R0	ORIGINAL DESIGN	



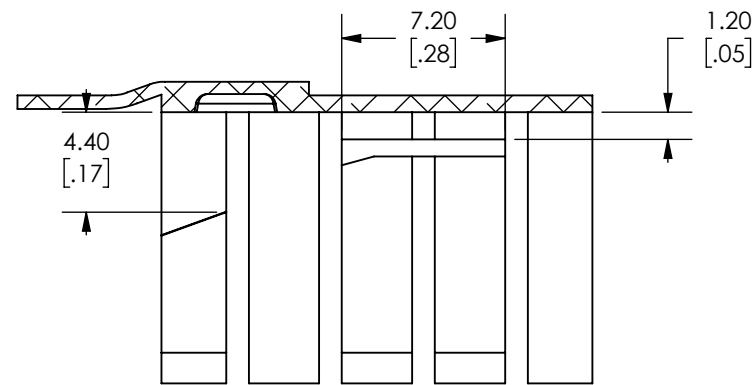
**Top View**

Scale 3:1

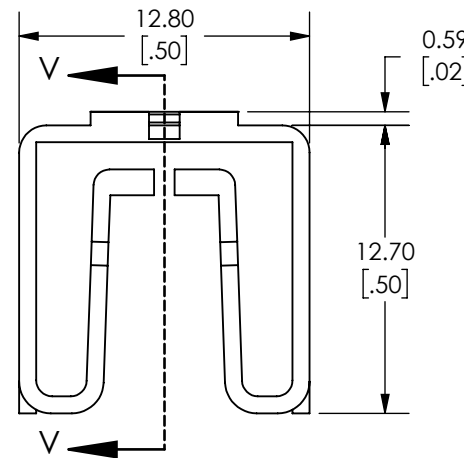


**Isometric View**

NTS

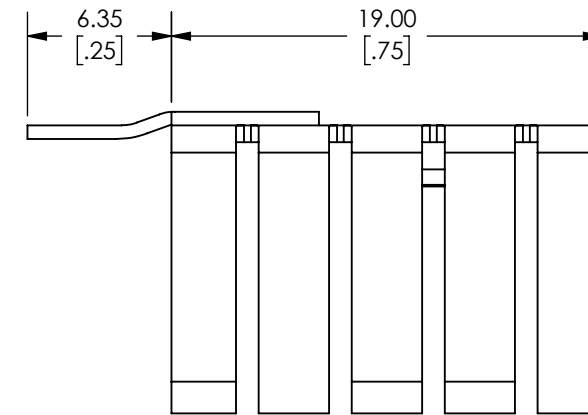


**SECTION V-V**



**Front View**

Scale 3:1



**Side View**

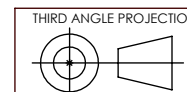
Scale 3:1



**89-27 Access Road**  
**Norwood MA, 02062**

DWN: FW	DESIGNER: FW	APPROVED / RELEASED FOR ATS MANUFACTURE:
DESCRIPTION: HEAT SINK		

TOLERANCE:  
UNLESS OTHERWISE SPECIFIED:  
X.X +/- 0.5mm  
X.XX +/- 0.25mm  
X.XXX +/- 0.125mm  
ANGLES +/- 1°



DRW UNITS: MM(IN)	SCALE: NTS
----------------------	---------------

DWG. NO. ATS-PCB1066	FINISH: BLACK ANODIZED
-------------------------	---------------------------

MATERIAL: ALUMINUM 6063	LEVEL: --
----------------------------	--------------

DATE: 6/10/2020	SHEET# 1 OF 1
--------------------	------------------