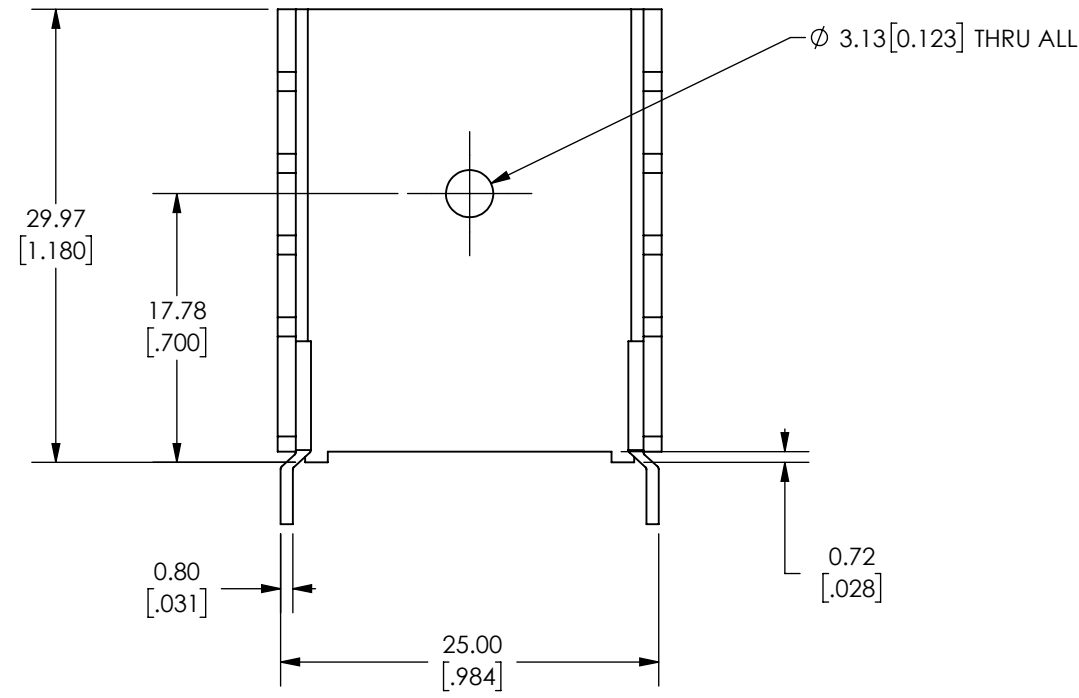


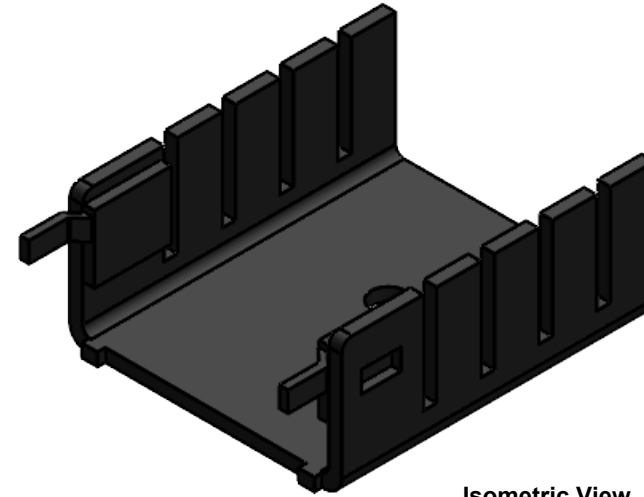
NOTES:

- SUPPLIER CERTIFIES PRODUCT IS ROHS COMPLIANT.
- REMOVE ALL BURRS & SHARP EDGES.
- ESTIMATED MASS: 4.44 GRAMS

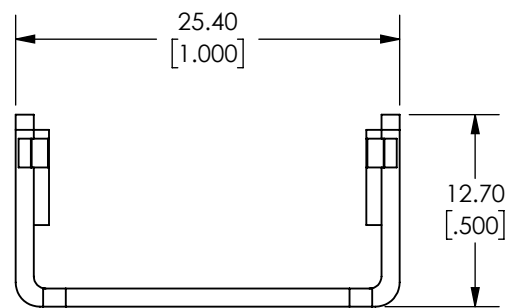
REVISIONS		
REV.	DESCRIPTION	DATE
R0	ORIGINAL DESIGN	



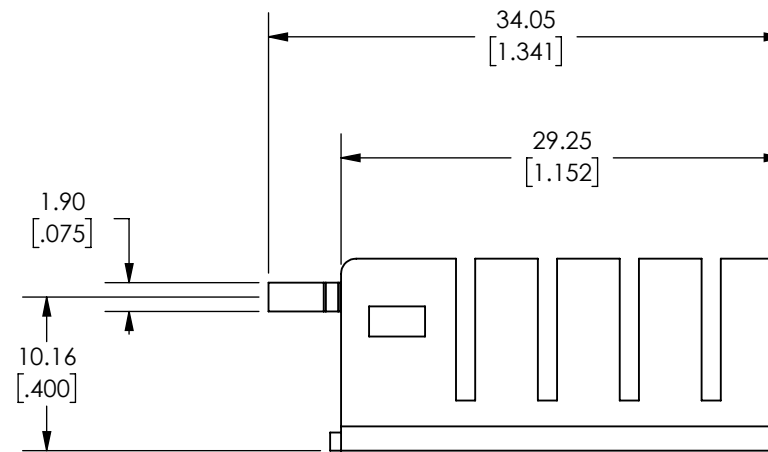
Top View
Scale 2:1



Isometric View
NTS



Front View
Scale 2:1



Side View
Scale 2:1

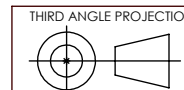


89-27 Access Road
Norwood MA, 02062

DWN: FW
DESIGNER: FW
APPROVED / RELEASED FOR ATS MANUFACTURE:

DESCRIPTION:
HEAT SINK

TOLERANCE:
UNLESS OTHERWISE SPECIFIED:
X.X +/- 0.5mm
X.XX +/- 0.25mm
X.XXX +/- 0.125mm
ANGLES +/- 1°



DRW UNITS:
MM(IN)

SCALE:
NTS

DWG. NO.
ATS-PCBT1077

FINISH:
BLACK ANODIZED

MATERIAL:
ALUMINUM 6063

LEVEL:
--

DATE:
6/10/2020

SHEET#
1 OF 1