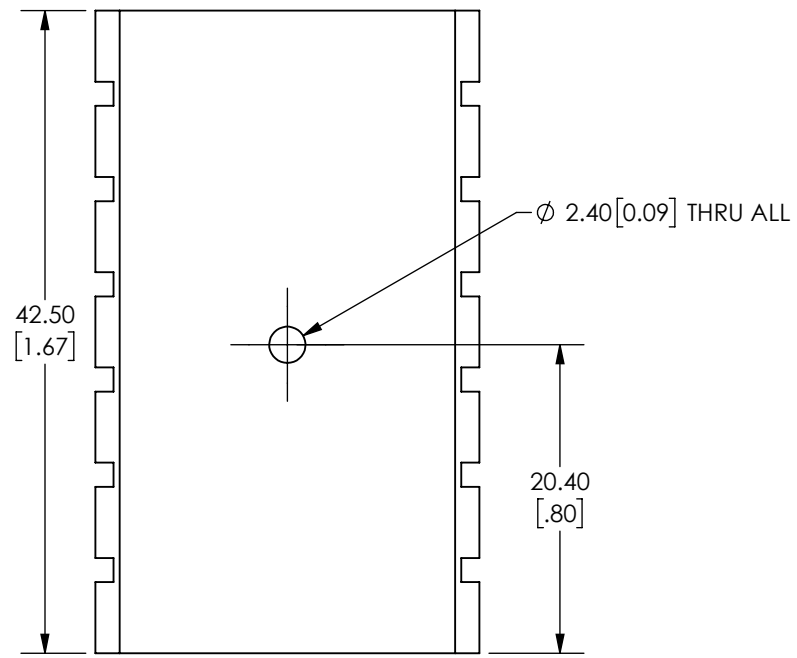


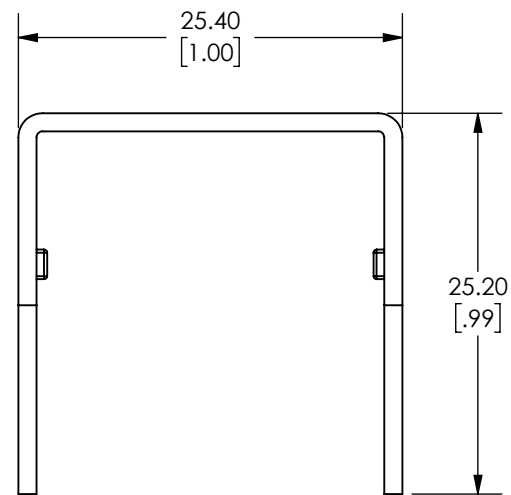
NOTES:

1. SUPPLIER CERTIFIES PRODUCT IS ROHS COMPLIANT.
2. REMOVE ALL BURRS & SHARP EDGES.
3. ESTIMATED MASS: 7.29 GRAMS

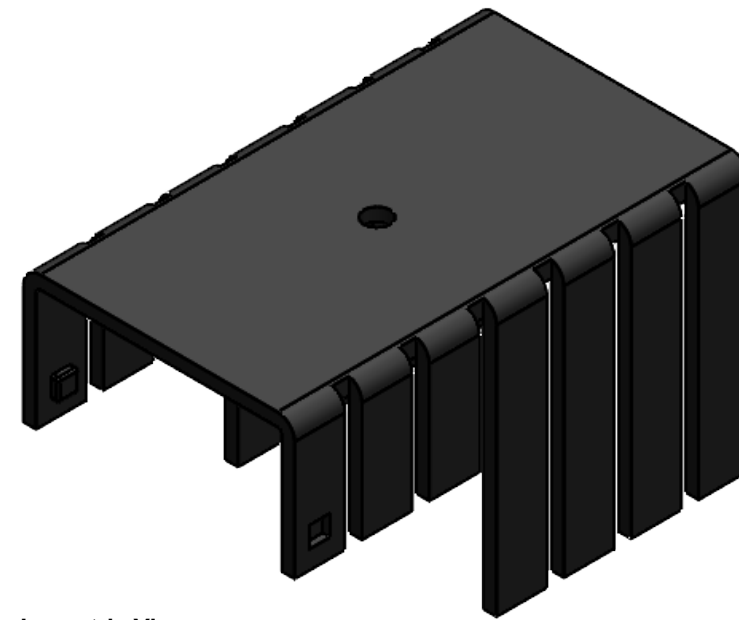
REVISIONS		
REV.	DESCRIPTION	DATE
R0	ORIGINAL DESIGN	



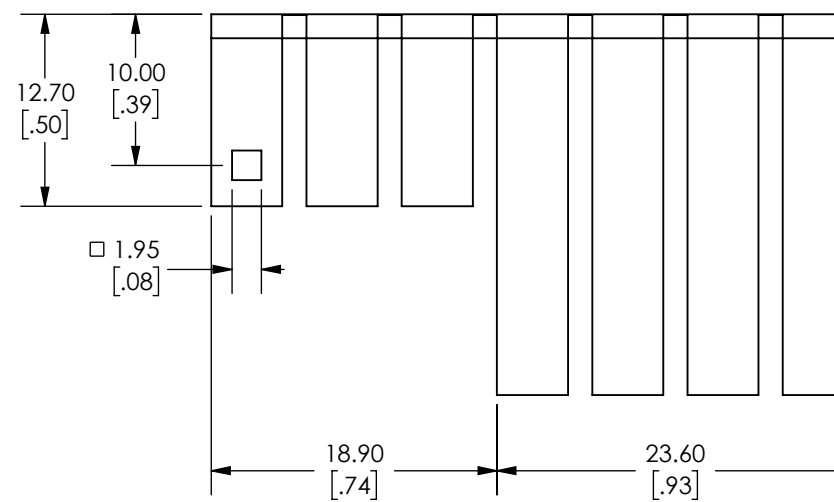
Top View
Scale 2:1



Front View
Scale 2:1



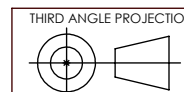
Isometric View
NTS



89-27 Access Road
Norwood MA, 02062

DWN: FW	DESIGNER: FW	APPROVED / RELEASED FOR ATS MANUFACTURE:
DESCRIPTION: HEAT SINK		

TOLERANCE:
UNLESS OTHERWISE SPECIFIED:
X.X +/- 0.5mm
X.XX +/- 0.25mm
X.XXX +/- 0.125mm
ANGLES +/- 1°



DRW UNITS:
MM(IN)
SCALE:
NTS

DWG. NO.
ATS-PCBT1087
FINISH:
BLACK ANODIZED

MATERIAL:
ALUMINUM 6063
LEVEL
--

DATE:
6/10/2020
SHEET#
1 OF 1