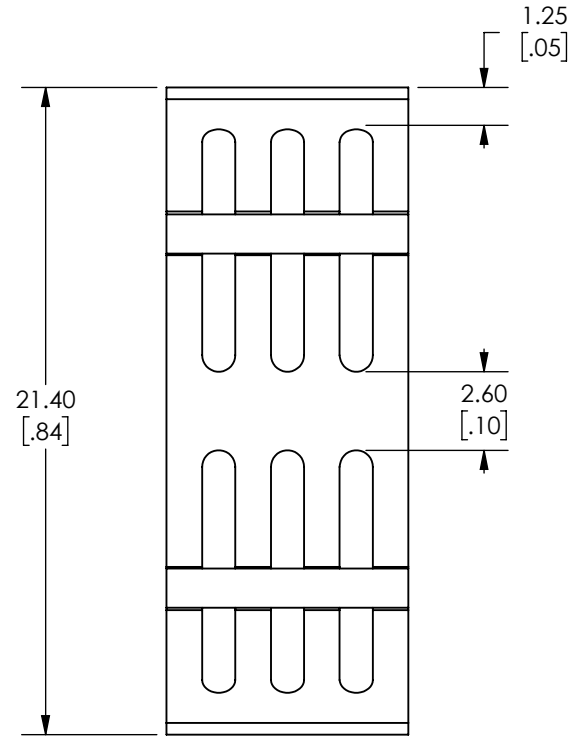


NOTES:

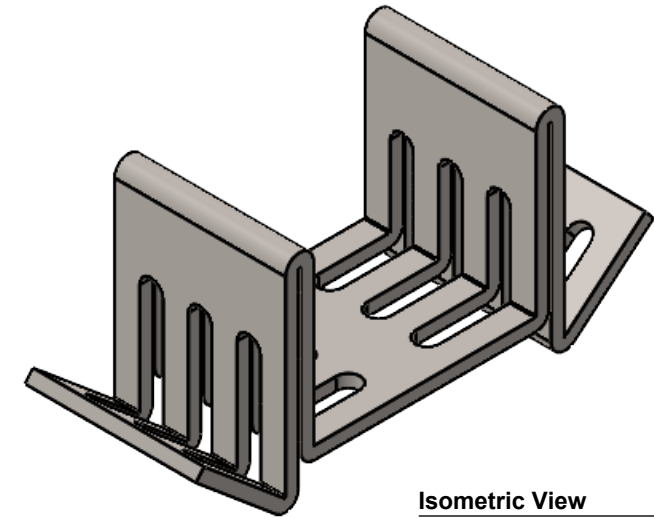
- SUPPLIER CERTIFIES PRODUCT IS ROHS COMPLIANT.
- REMOVE ALL BURRS & SHARP EDGES.
- ESTIMATED MASS: 1.81 GRAMS

REVISIONS		
REV.	DESCRIPTION	DATE
R0	ORIGINAL DESIGN	



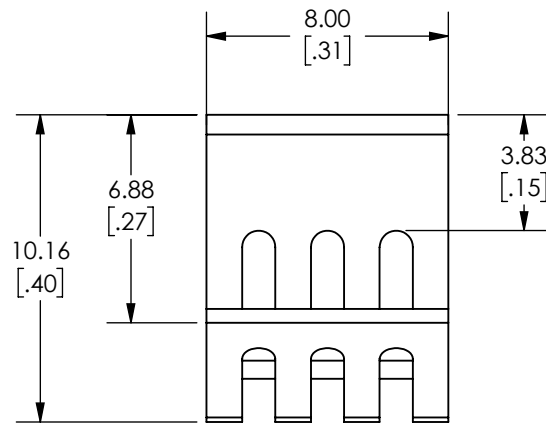
Top View

Scale 4:1



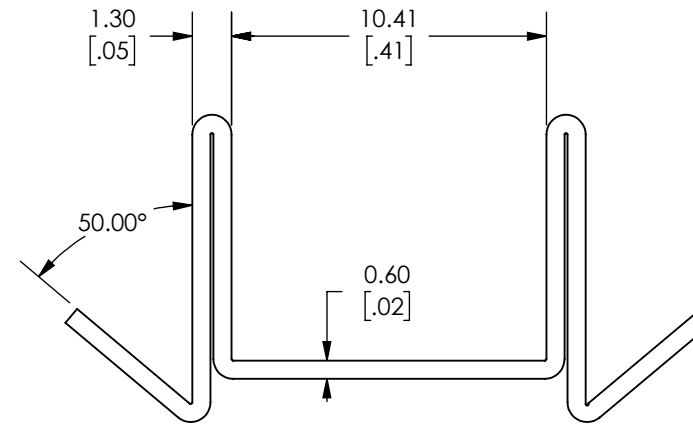
Isometric View

NTS



Front View

Scale 4:1



Side View

Scale 4:1



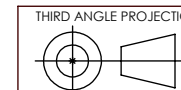
89-27 Access Road
Norwood MA, 02062

DWN:
FW

DESIGNER:
FW

APPROVED / RELEASED
FOR ATS MANUFACTURE:

TOLERANCE:
UNLESS OTHERWISE SPECIFIED:
X.X +/- 0.5mm
X.XX +/- 0.25mm
X.XXX +/- 0.125mm
ANGLES +/- 1°



DRW UNITS:
MM(IN)

SCALE:
NTS

DWG. NO.

FINISH:
TIN PLATED

ATS-PCBT1095

MATERIAL:
COPPER

LEVEL:
--

DATE:
6/10/2020

SHEET#
1 OF 1