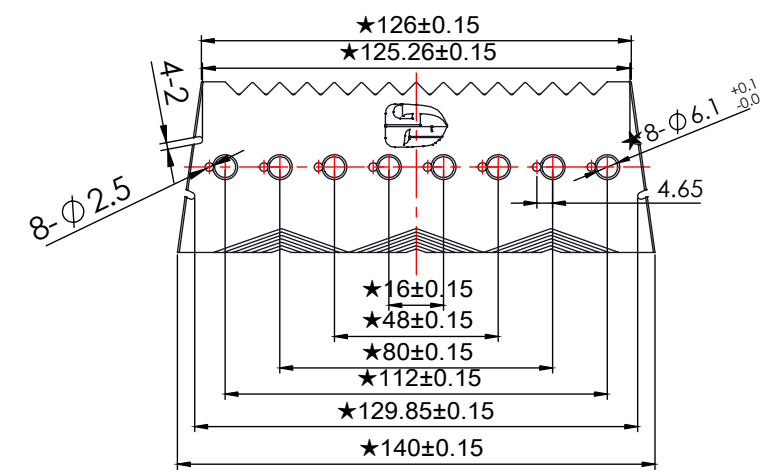
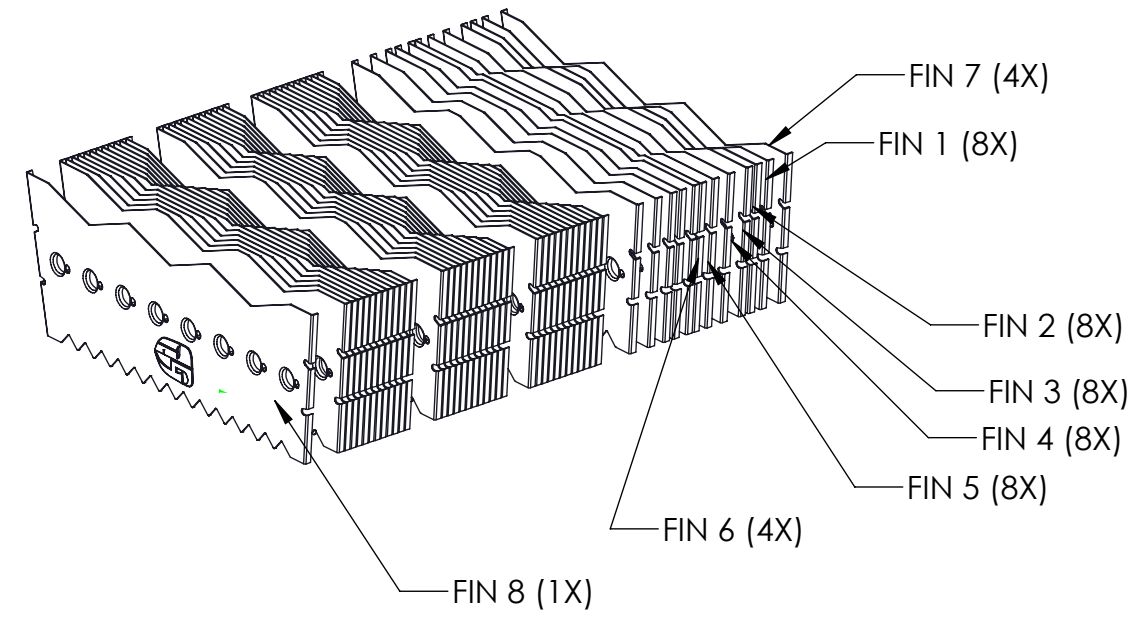
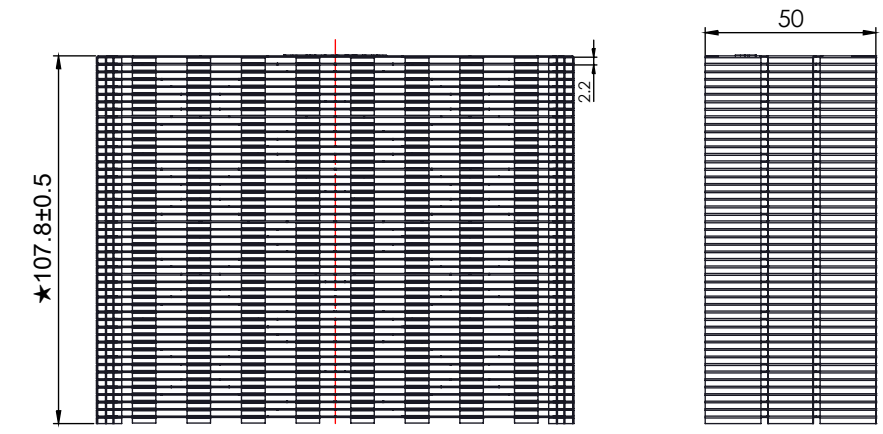


ATS-STFIN-18-R0


Advanced Thermal Solutions, Inc
PROPRIETARY

NOT APPROVED

REVISIONS		
REV.	DESCRIPTION	DATE
R0	ORIGINAL DESIGN	06/12/14



This confidential document is the sole property of Advanced Thermal Solutions (ATS). It is prohibited to reproduce or distribute this information, in whole or part, to other parties without the prior written consent of ATS.

	Advanced Thermal Solutions, Inc 89 Access Road #27 Norwood MA, 02062		DWN: CAH	DESIGNER: CAH	APPROVED /RELEASED FOR ATS MANUFACTURE:	SCALE: NTS	DATE: 6/12/2014	DWG. NO. ATS-STFIN-18-R0	LEVEL --
	DESCRIPTION: HEAT SINK					TOLERANCE: AS SPECIFIED	FINISH: NICKEL PLATED	MATERIAL: ALUMINUM 6063	DRW UNITS: MM(IN)

THE DRAWING SHOWN WITHIN IS PROTECTED BY PATENTS GRANTED TO ADVANCED THERMAL SOLUTIONS, INC.

Thursday, June 12, 2014

ATS-STFIN-18-R0

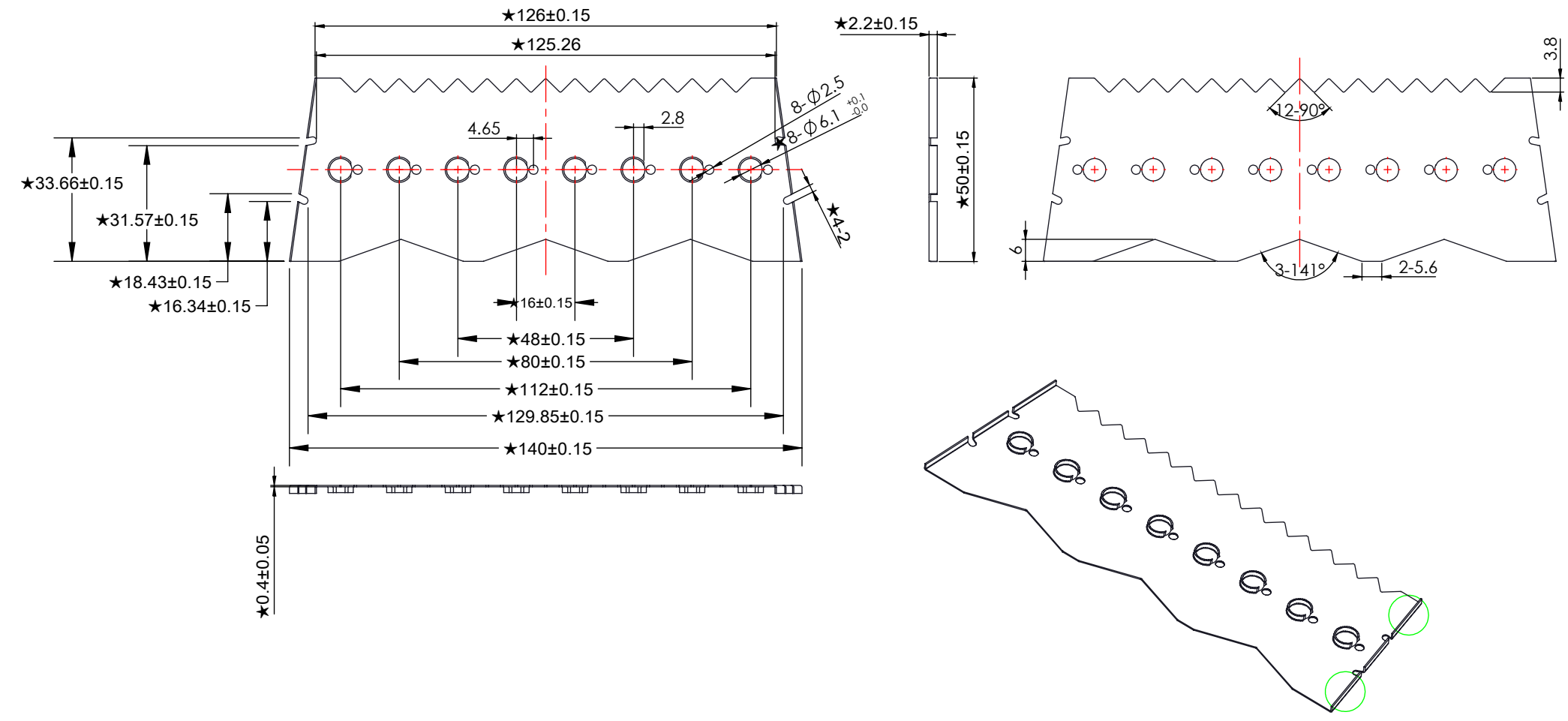
ATS-STFIN-18-R0

Advanced Thermal Solutions, Inc
PROPRIETARY


FIN 1

NOT APPROVED

Thursday, June 12, 2014



This confidential document is the sole property of Advanced Thermal Solutions (ATS). It is prohibited to reproduce or distribute this information, in whole or part, to other parties without the prior written consent of ATS.

	Advanced Thermal Solutions, Inc 89 Access Road #27 Norwood MA, 02062		DWN: CAH	DESIGNER: CAH	APPROVED /RELEASED FOR ATS MANUFACTURE:	SCALE: NTS	DATE: 6/12/2014	DWG. NO. ATS-STFIN-18-R0	LEVEL --
	DESCRIPTION: HEAT SINK					TOLERANCE: AS SPECIFIED	FINISH: NICKEL PLATED	MATERIAL: ALUMINUM 6063	DRW UNITS: MM(IN)

ATS-STFIN-18-R0

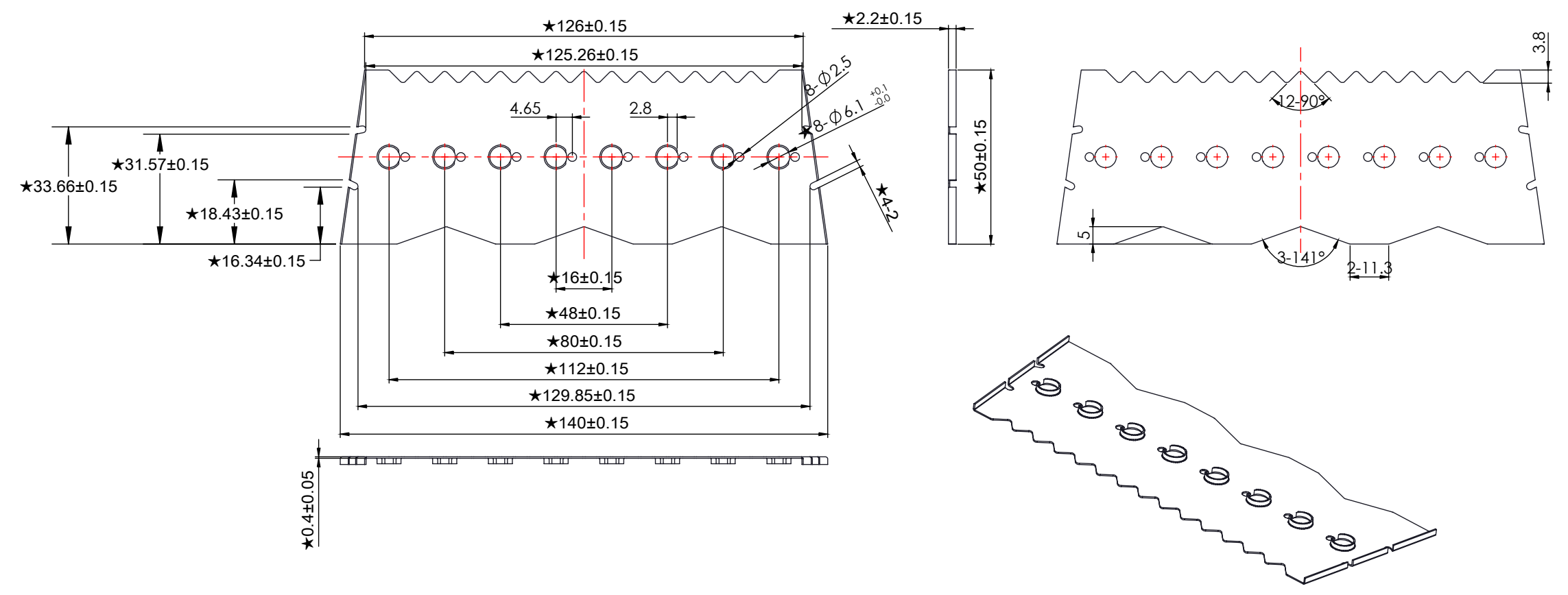
ATS-STFIN-18-R0

Advanced Thermal Solutions, Inc
PROPRIETARY


Thursday, June 12, 2014

FIN 2

NOT APPROVED



This confidential document is the sole property of Advanced Thermal Solutions (ATS). It is prohibited to reproduce or distribute this information, in whole or part, to other parties without the prior written consent of ATS.

	Advanced Thermal Solutions, Inc 89 Access Road #27 Norwood MA, 02062		DWN: CAH	DESIGNER: CAH	APPROVED /RELEASED FOR ATS MANUFACTURE:	SCALE: NTS	DATE: 6/12/2014	DWG. NO. ATS-STFIN-18-R0	LEVEL --	
	DESCRIPTION: HEAT SINK						TOLERANCE: AS SPECIFIED	FINISH: NICKEL PLATED	MATERIAL: ALUMINUM 6063	DRW UNITS: MM(IN)

THE DRAWING SHOWN WITHIN IS PROTECTED BY PATENTS GRANTED TO ADVANCED THERMAL SOLUTIONS, INC.

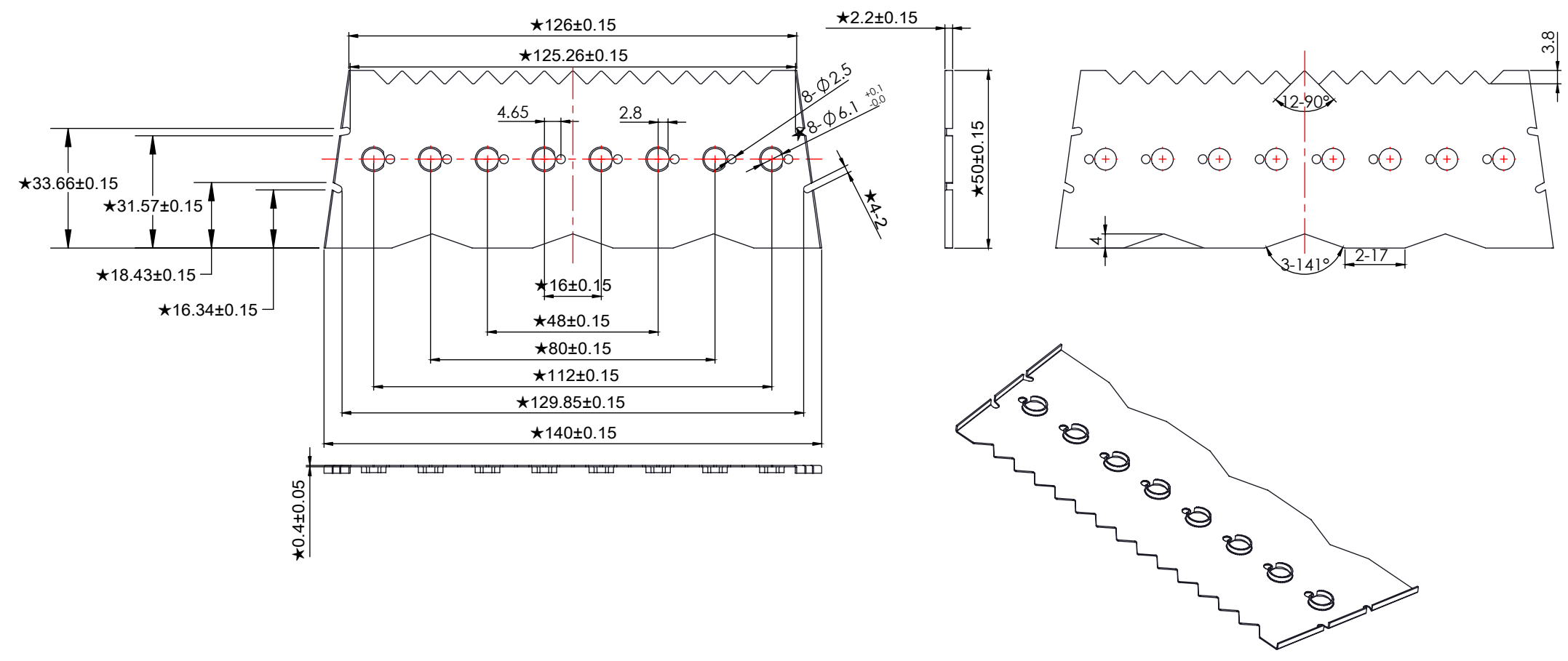
ATS-STFIN-18-R0

ATS-STFIN-18-R0


Advanced Thermal Solutions, Inc
PROPRIETARY

NOT APPROVED

FIN 3



This confidential document is the sole property of Advanced Thermal Solutions (ATS). It is prohibited to reproduce or distribute this information, in whole or part, to other parties without the prior written consent of ATS.

	Advanced Thermal Solutions, Inc 89 Access Road #27 Norwood MA, 02062		DWN: CAH	DESIGNER: CAH	APPROVED /RELEASED FOR ATS MANUFACTURE:	SCALE: NTS	DATE: 6/12/2014	DWG. NO. ATS-STFIN-18-R0	LEVEL --	
	DESCRIPTION: HEAT SINK						TOLERANCE: AS SPECIFIED	FINISH: NICKEL PLATED	MATERIAL: ALUMINUM 6063	DRW UNITS: MM(IN)

THE DRAWING SHOWN WITHIN IS PROTECTED BY PATENTS GRANTED TO ADVANCED THERMAL SOLUTIONS, INC.

Thursday, June 12, 2014

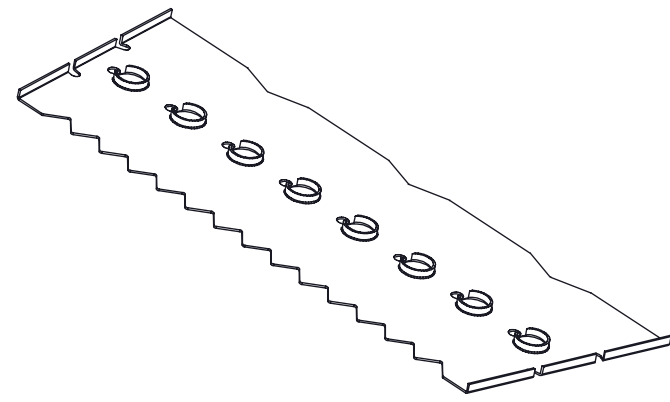
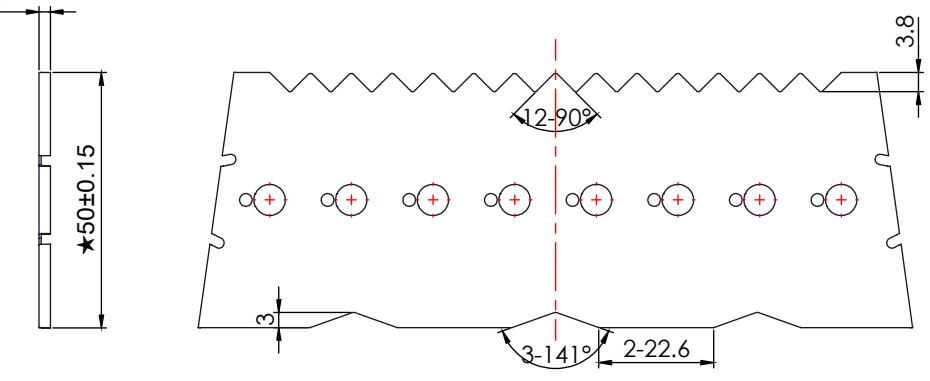
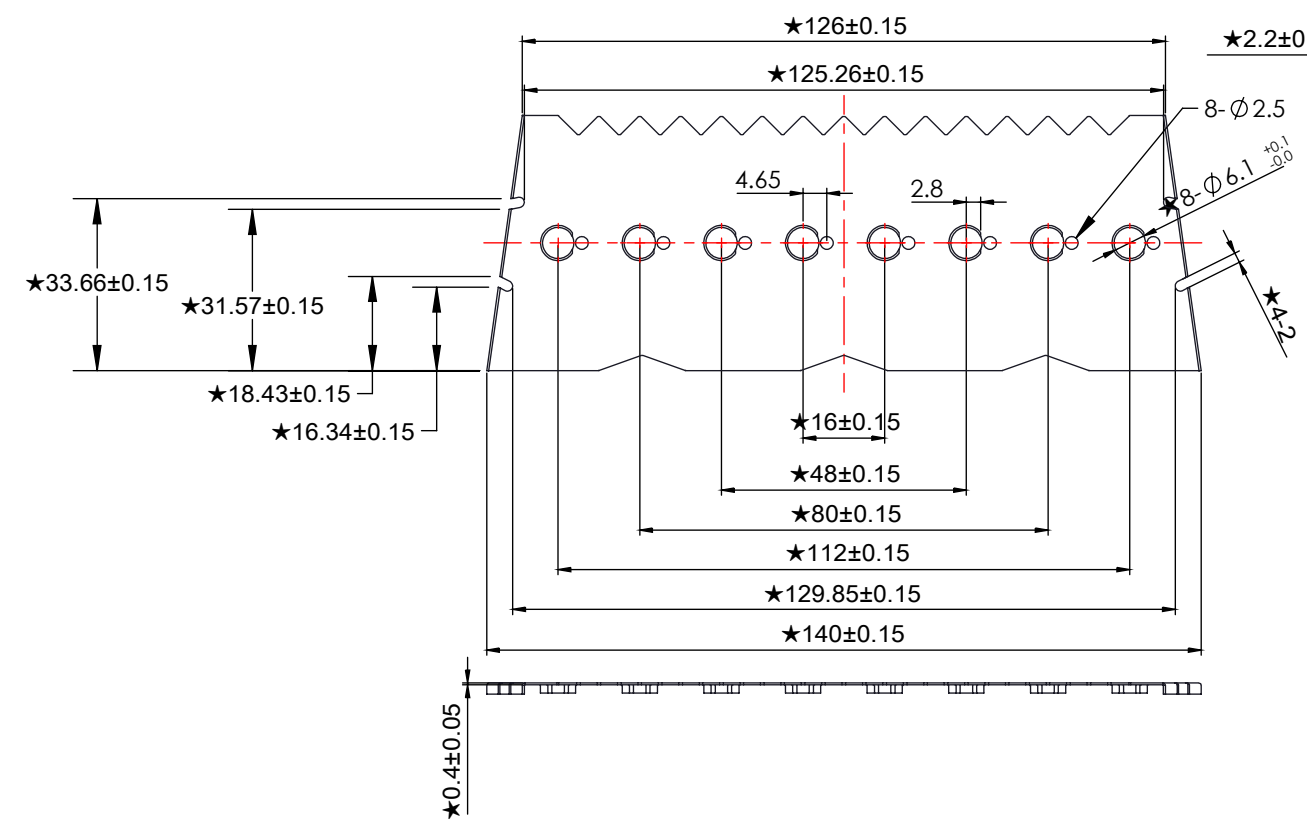
ATS-STFIN-18-R0

ATS-STFIN-18-R0


Advanced Thermal Solutions, Inc
PROPRIETARY

FIN 4

NOT APPROVED



This confidential document is the sole property of Advanced Thermal Solutions (ATS). It is prohibited to reproduce or distribute this information, in whole or part, to other parties without the prior written consent of ATS.

	Advanced Thermal Solutions, Inc 89 Access Road #27 Norwood MA, 02062		DWN: CAH	DESIGNER: CAH	APPROVED /RELEASED FOR ATS MANUFACTURE:	SCALE: NTS	DATE: 6/12/2014	DWG. NO. ATS-STFIN-18-R0	LEVEL --
	DESCRIPTION: HEAT SINK					TOLERANCE: AS SPECIFIED	FINISH: NICKEL PLATED	MATERIAL: ALUMINUM 6063	DRW UNITS: MM(IN)

THE DRAWING SHOWN WITHIN IS PROTECTED BY PATENTS GRANTED TO ADVANCED THERMAL SOLUTIONS, INC.

Thursday, June 12, 2014

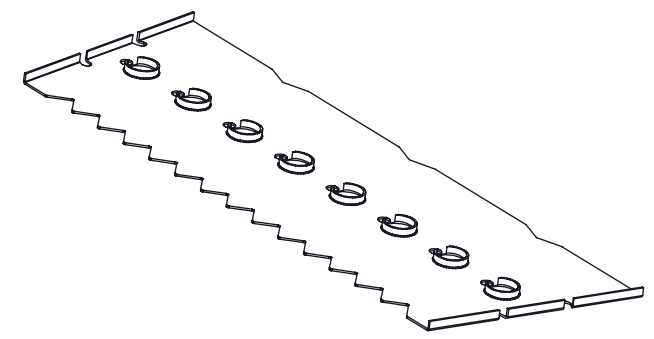
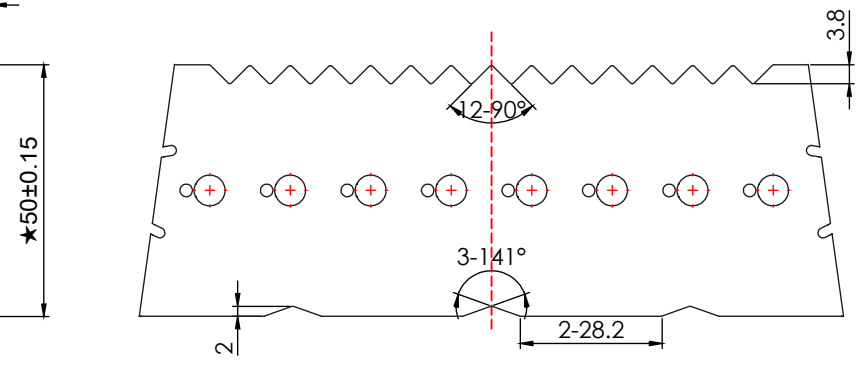
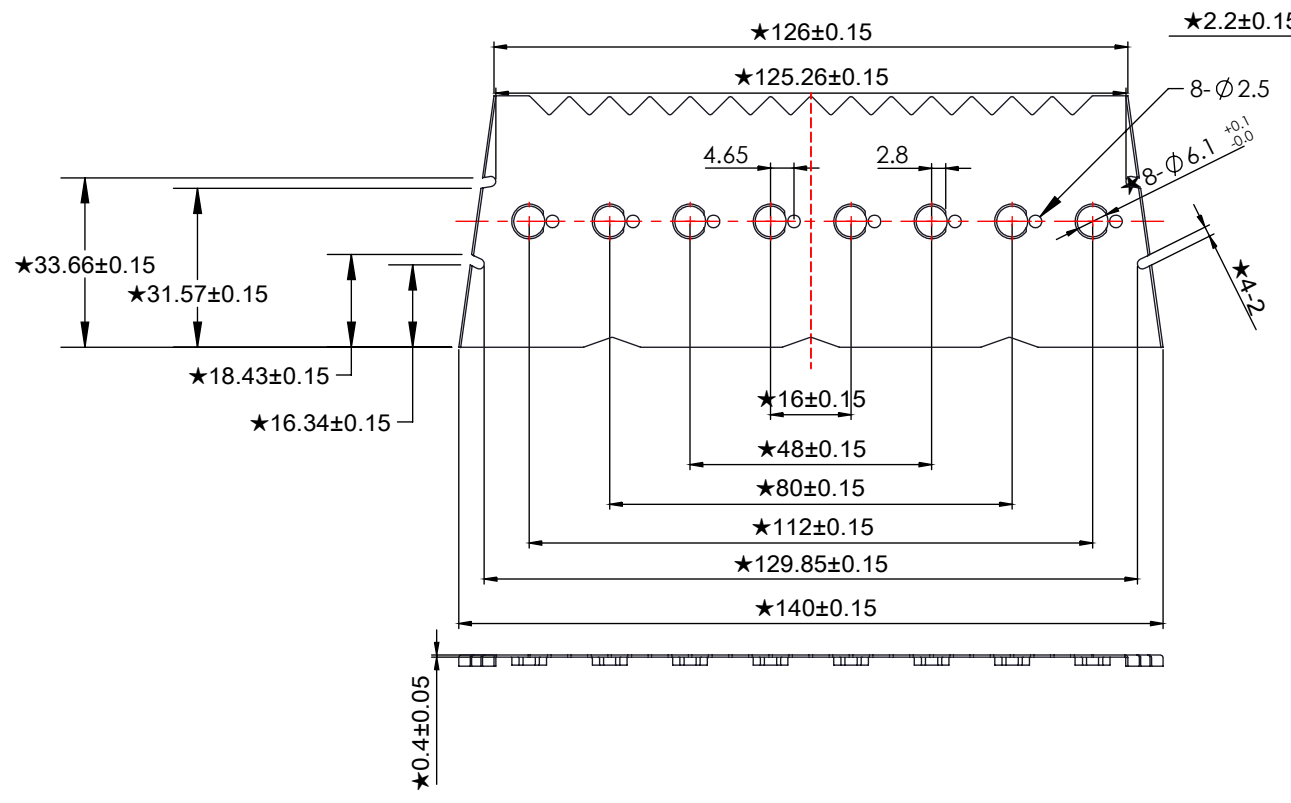
ATS-STFIN-18-R0

ATS-STFIN-18-R0


Advanced Thermal Solutions, Inc
PROPRIETARY

FIN 5

NOT APPROVED



This confidential document is the sole property of Advanced Thermal Solutions (ATS). It is prohibited to reproduce or distribute this information, in whole or part, to other parties without the prior written consent of ATS.

	Advanced Thermal Solutions, Inc 89 Access Road #27 Norwood MA, 02062	DWN: CAH	DESIGNER: CAH	APPROVED /RELEASED FOR ATS MANUFACTURE:	SCALE: NTS	DATE: 6/12/2014	DWG. NO. ATS-STFIN-18-R0	LEVEL --
		DESCRIPTION: HEAT SINK				TOLERANCE: AS SPECIFIED	FINISH: NICKEL PLATED	MATERIAL: ALUMINUM 6063

THE DRAWING SHOWN WITHIN IS PROTECTED BY PATENTS GRANTED TO ADVANCED THERMAL SOLUTIONS, INC.

Thursday, June 12, 2014

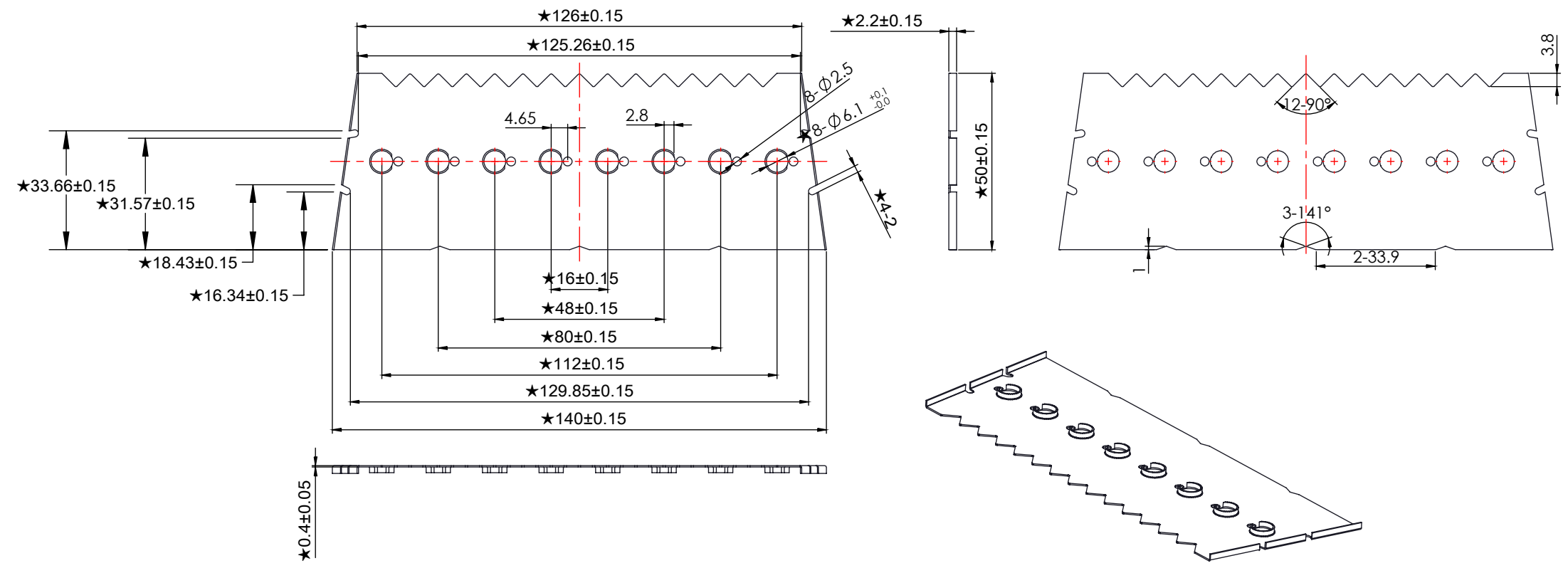
ATS-STFIN-18-R0

ATS-STFIN-18-R0


Thursday, June 12, 2014

Advanced Thermal Solutions, Inc
PROPRIETARY

FIN 6 **NOT APPROVED**



This confidential document is the sole property of Advanced Thermal Solutions (ATS). It is prohibited to reproduce or distribute this information, in whole or part, to other parties without the prior written consent of ATS.

	Advanced Thermal Solutions, Inc 89 Access Road #27 Norwood MA, 02062	DWN: CAH	DESIGNER: CAH	APPROVED /RELEASED FOR ATS MANUFACTURE:	SCALE: NTS	DATE: 6/12/2014	DWG. NO. ATS-STFIN-18-R0	LEVEL --
		DESCRIPTION: HEAT SINK				TOLERANCE: AS SPECIFIED	FINISH: NICKEL PLATED	MATERIAL: ALUMINUM 6063

THE DRAWING SHOWN WITHIN IS PROTECTED BY PATENTS GRANTED TO ADVANCED THERMAL SOLUTIONS, INC.

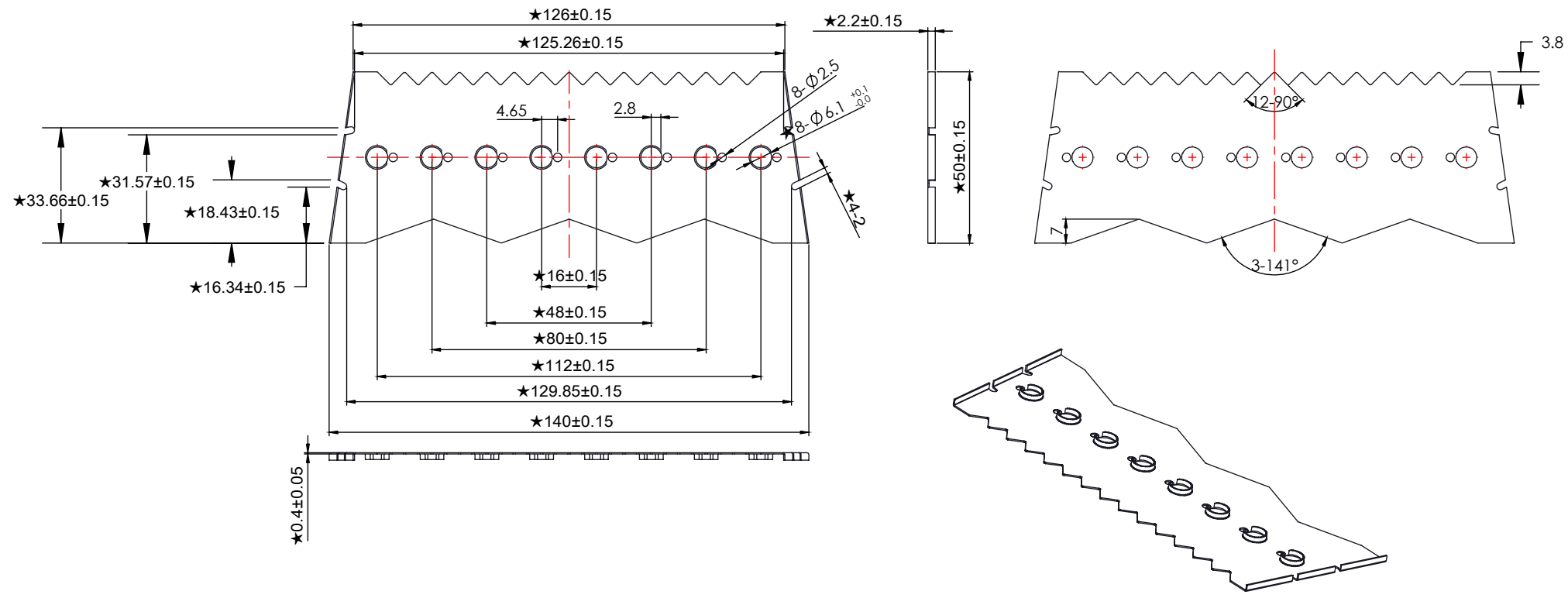
ATS-STFIN-18-R0

ATS-STFIN-18-R0


Advanced Thermal Solutions, Inc
PROPRIETARY

FIN 7

NOT APPROVED



This confidential document is the sole property of Advanced Thermal Solutions (ATS). It is prohibited to reproduce or distribute this information, in whole or part, to other parties without the prior written consent of ATS.

	Advanced Thermal Solutions, Inc 89 Access Road #27 Norwood MA, 02062		DWN: CAH	DESIGNER: CAH	APPROVED /RELEASED FOR ATS MANUFACTURE:	SCALE: NTS	DATE: 6/12/2014	DWG. NO. ATS-STFIN-18-R0	LEVEL --	
	DESCRIPTION: HEAT SINK						TOLERANCE: AS SPECIFIED	FINISH: NICKEL PLATED	MATERIAL: ALUMINUM 6063	DRW UNITS: MM(IN)

THE DRAWING SHOWN WITHIN IS PROTECTED BY PATENTS GRANTED TO ADVANCED THERMAL SOLUTIONS, INC.

Thursday, June 12, 2014

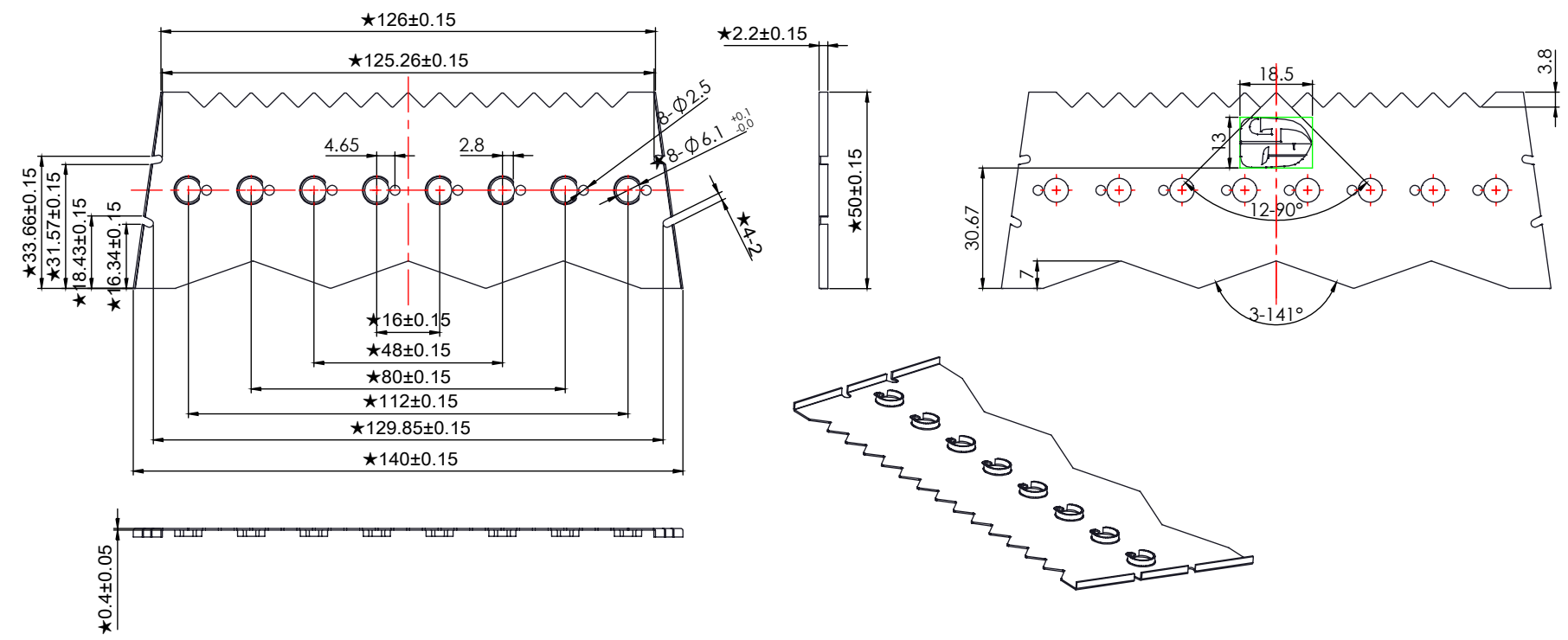
ATS-STFIN-18-R0

ATS-STFIN-18-R0


Advanced Thermal Solutions, Inc
PROPRIETARY

FIN 8

NOT APPROVED



This confidential document is the sole property of Advanced Thermal Solutions (ATS). It is prohibited to reproduce or distribute this information, in whole or part, to other parties without the prior written consent of ATS.

	Advanced Thermal Solutions, Inc 89 Access Road #27 Norwood MA, 02062		DWN: CAH	DESIGNER: CAH	APPROVED /RELEASED FOR ATS MANUFACTURE:	SCALE: NTS	DATE: 6/12/2014	DWG. NO. ATS-STFIN-18-R0	LEVEL --	
	DESCRIPTION: HEAT SINK						TOLERANCE: AS SPECIFIED	FINISH: NICKEL PLATED	MATERIAL: ALUMINUM 6063	DRW UNITS: MM(IN)

THE DRAWING SHOWN WITHIN IS PROTECTED BY PATENTS GRANTED TO ADVANCED THERMAL SOLUTIONS, INC.

Thursday, June 12, 2014

ATS-STFIN-18-R0