

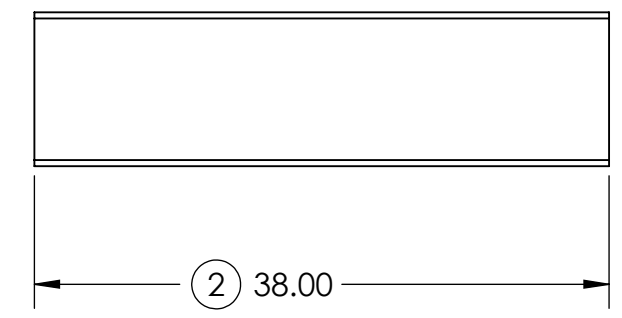
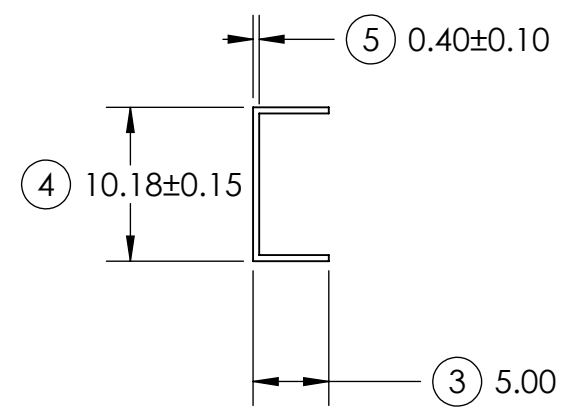
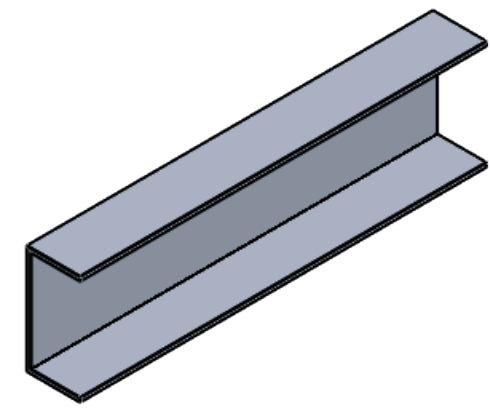
ATS-ZF-038010B3-P4-TB-R1

Thursday, February 23, 2017


Advanced Thermal Solutions, Inc
PROPRIETARY

- NOTES:
1. TOLERANCES X.X +/- 0.50 MM, X.XX +/- 0.25 MM, X.XXX +/- 0.125 MM UNLESS SHOWN OTHERWISE.
 2. SUPPLIER CERTIFIES PRODUCT IS ROHS COMPLIANT.
 3. FIN MASS: 0.6GRAMS.

REVISIONS		
REV.	DESCRIPTION	DATE
R1	ORIGINAL DESIGN	02/10/17
R1A	CHANGED PRECISION ON DIM 4	02/17/17



This confidential document is the sole property of Advanced Thermal Solutions (ATS). It is prohibited to reproduce or distribute this information, in whole or part, to other parties without the prior written consent of ATS.

	Advanced Thermal Solutions, Inc 89 Access Road #27 Norwood MA, 02062		DWN: CAH	DESIGNER: GW	APPROVED /RELEASED FOR ATS MANUFACTURE: GW 2/23/2017	SCALE: NTS	DATE: 02/17/2017	DWG. NO. ATS-ZF-038010B3-P4-TB-R1	LEVEL A
	DESCRIPTION: HEAT SINK FIN					TOLERANCE: AS SPECIFIED	FINISH: NICKEL PLATING (1)	MATERIAL: ALUMINUM 6063	DRW UNITS: MM(IN)

ATS-ZF-038010B3-P4-TB-R1